

CONTROL



8063/3

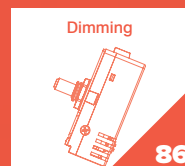
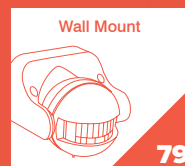
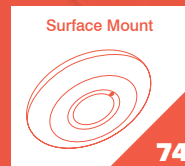
8063/3

CONTROL

Achieving optimum lighting levels is a key consideration for any project involving lighting along with energy efficiency, cost effectiveness and the well being of any occupants.

Ovia® offer domestic, commercial and industrial solutions ideally suited for all modern-day lighting applications, which work seamlessly with new and existing lighting.

Designed to help improve security, save energy and money, our range of sensors will automate lighting with the help of linked microwave sensor installations.



Recessed Flush Passive Infrared Sensor

Recessed Flush Passive Infrared Sensor

CONTROLS

CONTROLS



AVAILABLE FINISHES

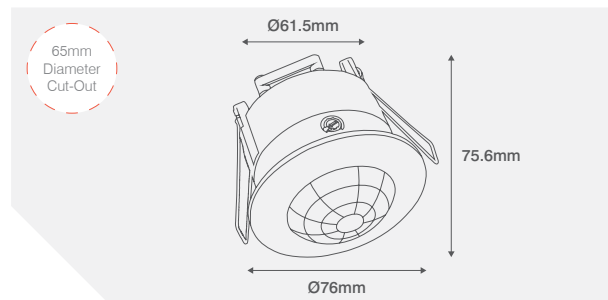


AVAILABLE FINISHES



CODE **DESCRIPTION**

OVPIR008WH 360° Recessed Flush PIR



PRODUCT INFO

Voltage	220-240V~
Frequency	50/60Hz
Operating Temp	-20°C - +40°C
Load Rating	300W (LED) / 1200W (Incan.)
Detection Angle	360°
Detection Range	6M Diameter at 4 Metres
Adjustable Time	10 Sec. - 15 Mins.
Adjustable Lux Level	3 - 2000lx
IP Rating	IP20

Zero Cross Technology

PRODUCT APPROVALS

EN 60669-1 EN 60669-2-1 EN 61547 EN 55015 EN 61000-3-2 EN 61000-3-3

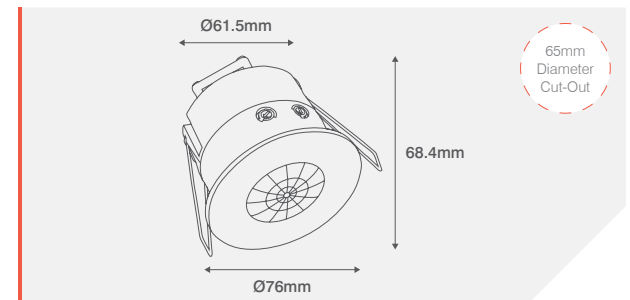


PRODUCT INFO

Voltage	220-240V~
Frequency	50/60Hz
Operating Temp	-20°C - +40°C
Load Rating	600W (LED) / 1200W (Incan.)
Detection Angle	360°
Detection Range	8M Diameter at 4 Metres
Adjustable Time	10 Sec. - 15 Mins.
Adjustable Lux Level	3 - 2000lx
IP Rating	IP20

CODE **DESCRIPTION**

OVPIR009WH 360° Recessed Flush PIR With Override



PRODUCT APPROVALS

EN 60669-1 EN 60669-2-1 EN 61547 EN 55015 EN 61000-3-2 EN 61000-3-3

Zero Cross Technology



Surface Mounted Microwave Sensor

CONTROLS 74

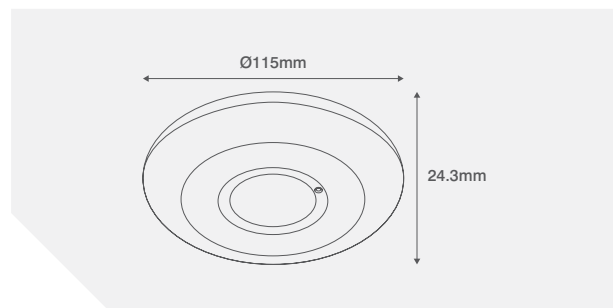


AVAILABLE FINISHES



CODE	DESCRIPTION
OVMS001WH	360° Low Profile Surface Microwave Sensor

PRODUCT INFO	
Voltage	220-240V~
Frequency	50/60Hz
Operating Temp	-20°C - +40°C
Load Rating	1000W (LED) / 2000W (Incan.)
Detection Angle	360°
Detection Range	16M Diameter at 6 Metres
Adjustable Time	10 Sec. - 12 Mins.
Adjustable Lux Level	3 - 2000lx
Sensitivity	4 - 16 Metre Diameter
IP Rating	IP20



Zero Cross Technology

PRODUCT APPROVALS

EN 60669-1 EN 60669-2-1 EN 61547 EN 55015 EN 61000-3-2 EN 61000-3-3



Surface Mounted Microwave Sensor

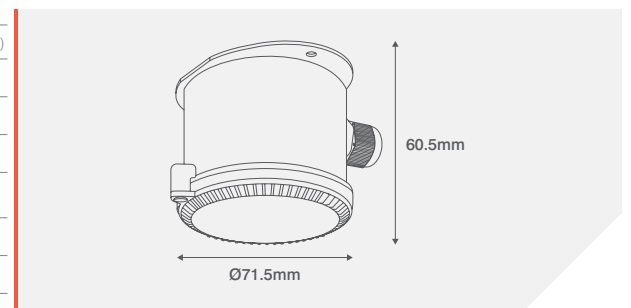
CONTROLS 75

AVAILABLE FINISHES



PRODUCT INFO	CODE	DESCRIPTION
Voltage	OVMS002WHD	360° 1-10V Dimmable Microwave Sensor

PRODUCT INFO	
Voltage	220-240V~
Frequency	50/60Hz
Dimmable	1-10V
Operating Temp	-20°C - +40°C
Load Rating	1000W (LED) / 2000W (Incan.)
Detection Angle	360°
Detection Range	20M Diameter at 15 Metres
Adjustable Range	50%, 100%
Stand-by Period	5, 30, 90Sec., 3, 5, 10, 20 & 30Mins.
Stand-by Dimmed Level	10%, 20%, 30% & 50%
Adjustable Lux Level	2, 10, 50, 2000lx



PRODUCT APPROVALS

Zero Cross Technology

EN 61058-1 EN 61547 EN 55015 EN 61000-3-2 EN 61000-3-3



Surface Mounted Passive Infrared Sensor

Surface Mounted Passive Infrared Sensor

CONTROLS

CONTROLS

IP44
WARRANTY 5 YEAR
INFRARED SENSOR
INDOOR & OUTDOOR USE

AVAILABLE FINISHES



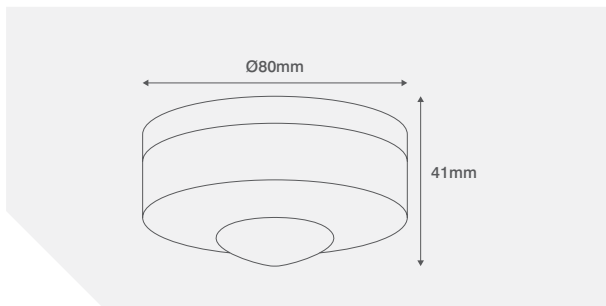
AVAILABLE FINISHES



INDOOR & OUTDOOR USE
INFRARED SENSOR
WARRANTY 5 YEAR
IP44

CODE	DESCRIPTION
OVPIR005WH	360° Compact IP44 PIR - White
OVPIR005BK	360° Compact IP44 PIR - Black

PRODUCT INFO	
Voltage	220-240V~
Frequency	50/60Hz
Operating Temp	-20°C - +40°C
Load Rating	300W (LED) / 1200W (Incan.)
Detection Angle	360°
Detection Range	6M Diameter at 4 Metres
Adjustable Time	10 Sec. - 15 Mins.
Adjustable Lux Level	3 - 2000lx
IP Rating	IP44



Zero Cross Technology

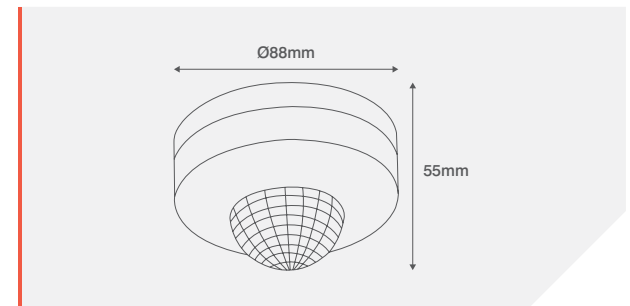
PRODUCT APPROVALS

EN 60669-1 EN 60669-2-1 EN 61547 EN 55015 EN 61000-3-2 EN 61000-3-3



PRODUCT INFO	
Voltage	220-240V~
Frequency	50/60Hz
Operating Temp	-20°C - +40°C
Load Rating	300W (LED) / 1200W (Incan.)
Detection Angle	360°
Detection Range	12M Diameter at 4 Metres
Adjustable Time	10 Sec. - 15 Mins.
Adjustable Lux Level	3 - 2000lx
IP Rating	IP44

CODE	DESCRIPTION
OVPIR006WH	360° Surface IP44 PIR - White
OVPIR006BK	360° Surface IP44 PIR - Black



PRODUCT APPROVALS

EN 61058-1 EN 61547 EN 55015 EN 61000-3-2 EN 61000-3-3

Zero Cross Technology



Surface Mounted Passive Infrared Sensor



AVAILABLE FINISHES

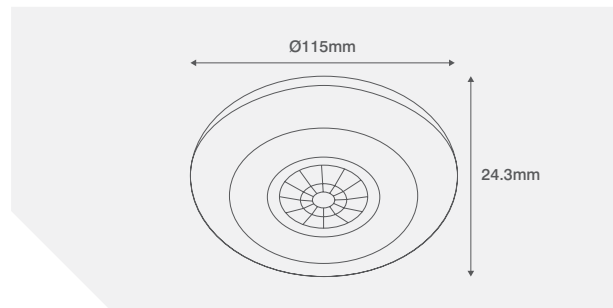


CODE **DESCRIPTION**

OVPIR007WH 360° Low Profile Surface PIR

PRODUCT INFO

Voltage	220-240V~
Frequency	50/60Hz
Operating Temp	-20°C - +40°C
Load Rating	1000W (LED) / 2000W (Incan.)
Detection Angle	360°
Detection Range	8M Diameter at 4 Metres
Adjustable Time	10 Sec. - 15 Mins.
Adjustable Lux Level	3 - 2000lx
IP Rating	IP20



Zero Cross Technology

PRODUCT APPROVALS

EN 60669-1 EN 60669-2-1 EN 61547 EN 55015 EN 61000-3-2 EN 61000-3-3



Wall Mounted Photocell

AVAILABLE FINISHES

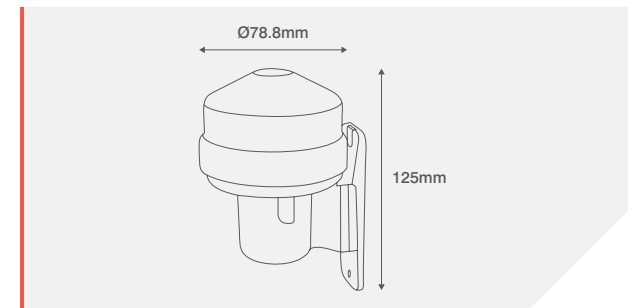


PRODUCT INFO

Voltage	220-240V~
Frequency	50/60Hz
Operating Temp	-20°C - +40°C
Load Rating	10A
Detection Angle	360°
Lux Level	5-15 Lux (Not Adjustable)
IP Rating	IP44

CODE **DESCRIPTION**

OVPC001BK IP44 Photocell



PRODUCT APPROVALS

EN 61058-1 EN 61547 EN 55015 EN 61000-3-2 EN 61000-3-3



Wall Mounted Passive Infrared Sensor

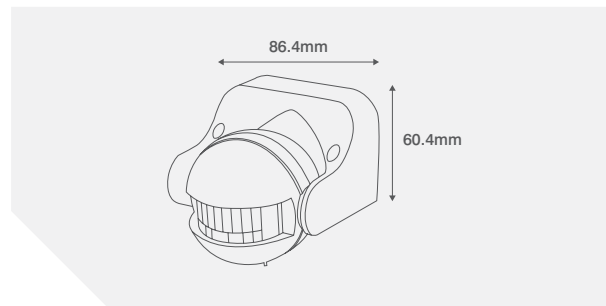


AVAILABLE FINISHES



CODE	DESCRIPTION
OVPIR001WH	180° Tilttable IP44 PIR - White
OVPIR001BK	180° Tilttable IP44 PIR - Black

PRODUCT INFO	
Voltage	220-240V~
Frequency	50/60Hz
Operating Temp	-20°C - +40°C
Load Rating	300W (LED) / 1200W (Incan.)
Detection Angle	180°
Detection Distance	Upto 12 Metres Max.
Adjustable Time	10 Sec. - 7 Mins.
Adjustable Lux Level	3 - 2000lx
IP Rating	IP44



PRODUCT APPROVALS

EN 60669-1 EN 60669-2-1 EN 61058-1 EN 61547 EN 55015 EN 61000-3-2 EN 61000-3-3



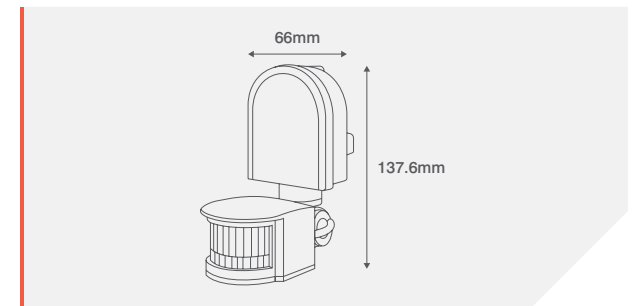
Wall Mountable Passive Infrared Sensor

AVAILABLE FINISHES



PRODUCT INFO	
Voltage	220-240V~
Frequency	50/60Hz
Operating Temp	-20°C - +40°C
Load Rating	300W (LED) / 1200W (Incan.)
Detection Angle	180°
Detection Distance	5 - 12 Metres
Adjustable Time	10 Sec. - 7 Mins.
Adjustable Lux Level	3 - 2000lx
IP Rating	IP44

CODE	DESCRIPTION
OVPIR002WH	180° Multi-Directional IP44 PIR - White
OVPIR002BK	180° Multi-Directional IP44 PIR - Black



PRODUCT APPROVALS

EN 61058-1 EN 61547 EN 55015 EN 61000-3-2 EN 61000-3-3



Wall Mounted Passive Infrared Sensor

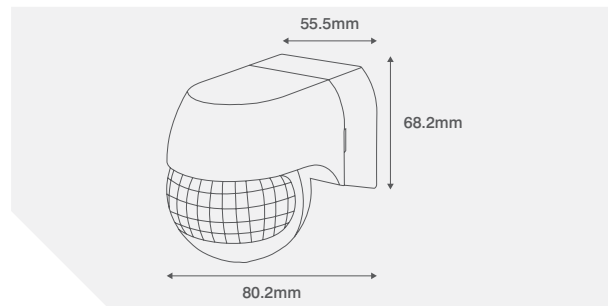


AVAILABLE FINISHES



CODE	DESCRIPTION
OVPIR003WH	180° Rotatable IP44 PIR - White
OVPIR003BK	180° Rotatable IP44 PIR - Black

PRODUCT INFO	
Voltage	220-240V~
Frequency	50/60Hz
Operating Temp	-20°C - +40°C
Load Rating	400W (LED) / 800W (Incan.)
Detection Angle	180°
Detection Distance	Upto 12 Metres Max.
Adjustable Time	10 Sec. - 15 Mins.
Adjustable Lux Level	3 - 2000lx
IP Rating	IP44



Zero Cross Technology

PRODUCT APPROVALS

EN 60669-1 EN 60669-2-1 EN 61058-1 EN 61547 EN 55015 EN 61000-3-2 EN 61000-3-3



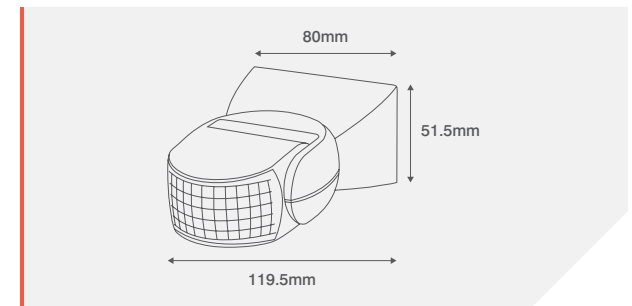
Wall Mounted Passive Infrared Sensor

AVAILABLE FINISHES



PRODUCT INFO	
Voltage	220-240V~
Frequency	50/60Hz
Operating Temp	-20°C - +40°C
Load Rating	300W (LED) / 1200W (Incan.)
Detection Angle	180°
Detection Distance	Upto 12 Metres Max.
Adjustable Time	10 Sec. - 15 Mins.
Adjustable Lux Level	3 - 2000lx
IP Rating	IP65

CODE	DESCRIPTION
OVPIR004WH	180° Multi-Directional IP65 PIR - White
OVPIR004BK	180° Multi-Directional IP65 PIR - Black



PRODUCT APPROVALS

EN 60669-1 EN 60669-2-1 EN 61547 EN 55015 EN 61000-3-2 EN 61000-3-3



Luminaire Mounted Passive Infrared Sensor



AVAILABLE FINISHES

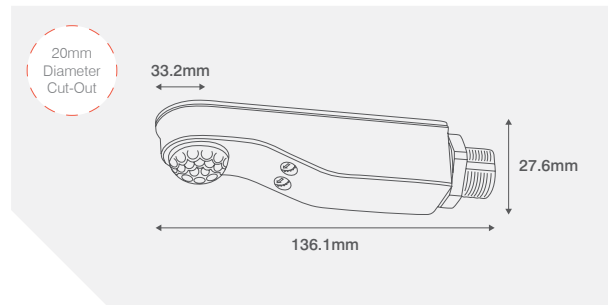


CODE **DESCRIPTION**

OVPIR010WH 360° Luminaire Mountable IP65 PIR

PRODUCT INFO

Voltage	220-240V~
Frequency	50/60Hz
Operating Temp	-20°C - +40°C
Load Rating	500W (LED) / 1200W (Incan.)
Detection Angle	360°
Detection Range	10M Diameter at 6 Metres
Adjustable Time	10 Sec. - 30 Mins.
Adjustable Lux Level	3 - 2000lx



Zero Cross Technology

PRODUCT APPROVALS

EN 61058-1 EN 61547 EN 55015 EN 61000-3-2 EN 61000-3-3



Luminaire Mounted Passive Infrared Sensor

AVAILABLE FINISHES

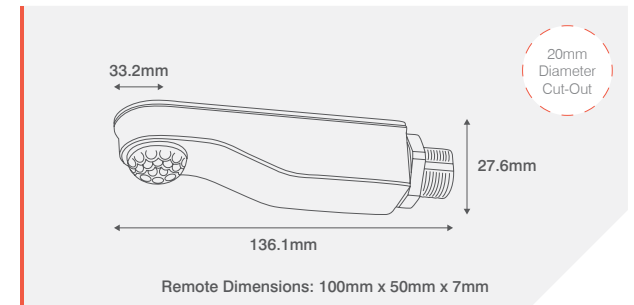


PRODUCT INFO

Voltage	220-240V~
Frequency	50/60Hz
Dimmable	1-10V
Operating Temp	-20°C - +40°C
Load Rating	500W (LED) / 1200W (Incan.)
Detection Angle	360°
Detection Range	10M Diameter at 6 Metres
Adjustable Range	50%, 75%, 100%
Stand-by Period	5, 10, 15, 30, 60Mins., Off
Stand-by Dimmed Level	OFF, 10%, 20%, & 30%
Adjustable Lux Level	10, 50, 150, 2000lx

CODE **DESCRIPTION**

OVPIR011WH 360° Luminaire Mountable Dimmable IP65 PIR With Remote



PRODUCT APPROVALS

EN 61058-1 EN 61547 EN 55015 EN 61000-3-2 EN 61000-3-3

Zero Cross Technology



LED Rotary Dimmer Module

- WARRANTY

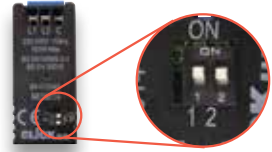


1
YEAR
- NEVER
RESETS


- ELIMINATE
FLICKERING


- 2 DIMMERS IN 1





- 1** Switch 1 allows the minimum brightness to be adjusted
- 2** Switch 2 allows the dimming mode to be adjusted

ELIMINATE DIMMER FLICKERING

Our new dimmer is much easier to program than regular dimmers because of the two small switches on the back of the module. This allows the dimmer to be programmed without removing from the plate.

CODE	DESCRIPTION
OVMD9014	100W Dual Mode LED Dimmer Module

PRODUCT INFO	
Wattage	5-100W
Voltage	220-240V~
Frequency	50Hz
Dimmable	Yes
Operating Temp	-5°C - +45°C
IP Rating	IP20

Due to the reduced height, the OVMD9014 is suitable for mounting directly above each other on grid installations.

PRODUCT APPROVALS

BS EN 60669-1 BS EN 60669-2-1 BS EN 55015 BS EN 61000-3-2

