

Simple, reliable control meets extreme affordability in the onCue Basic Presentation Controller from Crestron®. Ideal for K-12 primary education classrooms and small meeting rooms, onCue provides a compact wall mount keypad controller (BPC-8) with eight assignable buttons for controlling a single projector, flat screen display, or source device. Crestron onCue can even be configured to control a complete room presentation system equipped with a display device, a motorized screen or lift, and a controllable source such as a DVD player.

The BPC-8 ships with the BPC-8-IMC interface module, power pack, a STIRP IR emitter probe, and a set of 13 interchangeable button caps.

The onCue software tool also provides the ability to configure some additional features including a configurable power off timer as well as a pass code option to lock the BPC-8 panel buttons to prevent unauthorized use. For more details on these advanced features as well as on the configuration tool, refer to the onCue BPC-8 Tool help file which is available from the onCue Web site (www.crestron.com/oncuesoftware).

1 Installation

The following items are required:

- Phillips screwdriver (not supplied)
- Two 1 in. pan head Phillips screws (supplied)
- Two 4-pin detachable terminal block connectors (supplied)

The following accessories are sold separately:

- BPC-HPLIR: onCue™ IR Learner & Programmer
- BPC-8-BTNK-SRC: Set of 12 source control button caps
- CBL-PWR-CTRL-P-TL-50: 4-Conductor Link Cable, plenum, 50 ft (~15 m)
- CBL-SERIAL-DB9F-6: 3.5mm TRS to DB9F RS-232 Control Cable, 6 ft (~2 m)

For more information on accessories, refer to the latest version of the BPC-8 Operations & Installation Guide (Doc. 7100), which is

available from the Crestron Web site (www.crestron.com/manuals).

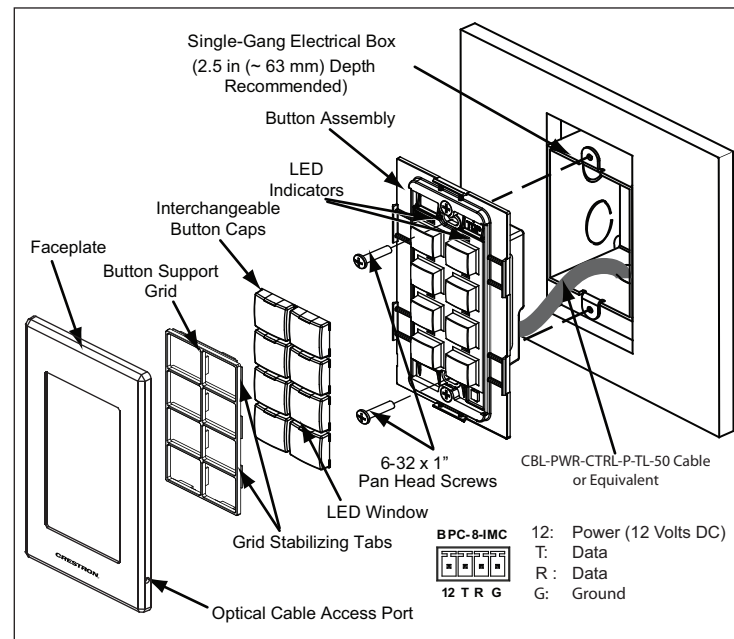
Refer to the illustrations to the right, and install the BPC-8 keypad and BPC-8-IMC interface module as follows:

1. Install a 4-conductor cable (minimum 24 AWG), 50 ft (~15 m) maximum length (not supplied), between the single-gang electrical box for the BPC-8 and the location of the BPC-8-IMC interface module. (Crestron recommends its CBL-PWR-CTRL-P-TL-50 cable, sold separately.) Refer to the pin connections shown in the diagram, and connect the supplied 4-pin detachable connectors to each end of the cable.
2. Connect the pre-installed cable to the 4-pin terminal block on the rear of the button assembly, and mount the BPC-8 to the single-gang electrical box as shown in the diagram.
 - a. Remove the faceplate by snapping it off the button assembly. (Use care removing the faceplate; it holds the button support grid and button caps in place.)
 - b. Make sure the button unit is oriented as marked with the arrow at the top, place it in the electrical box, and attach it using the supplied #6-32 x 1" screws.
 - c. Return the button caps to their original positions on the button assembly (refer to application diagram), with LED windows oriented upward to match each LED indicator.
 - d. Install the button support grid with stabilizing tabs to the rear, put the faceplate in position (optical cable access port on the lower right), and snap it into place.
3. Mount the BPC-8-IMC on an appropriate surface at the display location using the supplied hook and loop tape. Connect the pre-installed cable to the 4-pin terminal block connector, and connect the IR emitter probe(s) or RS-232 cable (not supplied), as required, to the interface module and the display device(s). (If necessary, refer to the display device's documentation for IR window

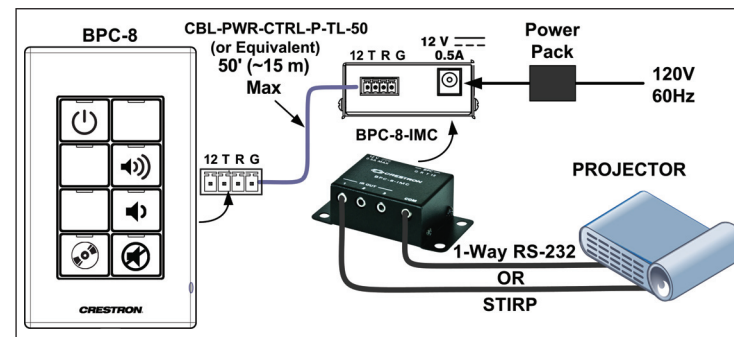
location.) Connect the power pack to AC power and to the interface module.

CAUTION: Miswiring will result in equipment damage. The 4-pin detachable connectors should not be connected to a Cresnet® network or any Cresnet device.

BPC-8 Installation



BPC-8 Application



2 Configuration

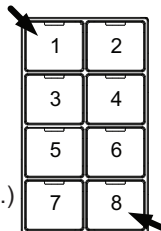
Basic Controls

Configuring the onCue BPC-8 is as easy as 1, 2, 3!
The BPC-8 is shipped with buttons pre-configured to control power, volume, mute, and source select functions via IR for a variety of display devices. Programs for these devices are already stored in the BPC-8's memory. Refer to section 4 "Supported Devices", for a list of the devices and their designated codes.

NOTE: If your presentation device is not listed, use the hand held onCue BPC-HPLIR IR Learner & Programmer (sold separately) to develop a program for the device. (For more information, refer to the latest version of the BPC-HPLIR Operations Guide (Doc. 7109), which is available from the Crestron Web site.

To select a device, place the BPC-8 in *Installer* mode, then enter the corresponding IR selection code for the device. Selection codes are entered using the BPC-8 buttons corresponding to the numbering arrangement shown below. With the BPC-8 connected to the BPC-8-IMC and power applied, verify the green backlight LEDs are on, and then do the following:

1. Press the top left and the bottom right buttons (buttons 1 and 8) at exactly the same time and hold for 10 seconds. The back light LEDs (green) blink twice to confirm entry into *Installer* mode. (If the buttons do not blink, the buttons were not pressed at exactly the same time.)



2. Enter the code for the desired device. The back light LEDs blink three times to confirm the device's program has been entered, and the unit exits *Installer* mode.

If an invalid code is entered, button 2's feedback LED (red) will blink rapidly for three seconds, and the unit will wait for another code to be entered.

3. Press the BPC-8 power button (button 1) to verify operation. Verify the display's power state changes. If it does not, return to *Installer* mode (step1), enter the next available code for the device (if any) and repeat step 2.

The BPC-8 will exit *Installer* mode in the following instances:

- If the top left and bottom right buttons are simultaneously held down for two seconds (backlight blinks twice to confirm exit).
- After a 5-minute timeout (backlight blinks twice to confirm exit).
- After a valid configuration is entered (backlight blinks three times to confirm exit).

Advanced Controls

The BPC-8 is also capable of accepting custom configuration files which provide a great deal of flexibility for more complex installations. Creating these files is an easy, 4-step process:

1. Use the Crestron Toolbox™ onCue BPC-8 Tool to create your custom configuration.
2. Upload the configuration to the BPC-HPLIR.
3. Connect the BPC-HPLIR fiber cable to the port on the bottom right of the BPC-8.
4. Press the **TRANSFER** button on the BPC-HPLIR.

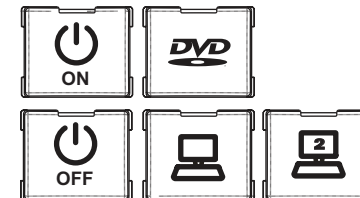
This method allows the user to add control for any device that uses an IR remote, including projectors, displays, and DVD players. The onCue BPC-8 Tool also allows for control of projectors via an RS-232 interface. (Requires 4-Conductor Link Cable, CBL-SERIAL-DB9F-6, or equivalent, sold separately.)

More information on the onCue product and instructions for downloading the onCue BPC-8 Tool can be found at the onCue Web site (www.crestron.com/oncuesoftware).

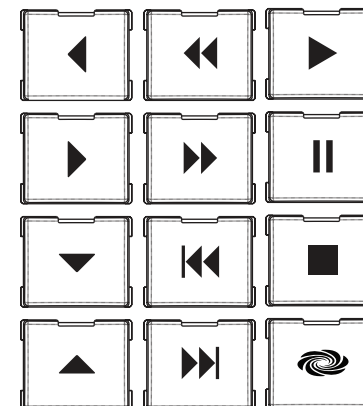
For information on upgrading BPC-8 firmware, refer to the latest version of the BPC-8 Operations & Installation Guide (Doc. 7109), which is available from the Crestron Web site.

3 Additional Button Caps

Supplied



Accessory Kit (Sold Separately)



4 Supported Devices

MANUFACTURER	PRODUCT	IR CODE
Acer	Projector	112
BenQ	Projector	118, 121
DELL	Projector	113
Epson	Projector	117, 122, 123
InFocus	Projector	114
Mitsubishi	Projector	124, 125
NEC	Projector	126
Optoma	Projector	115
Sony	Projector	127