



SERIES NT

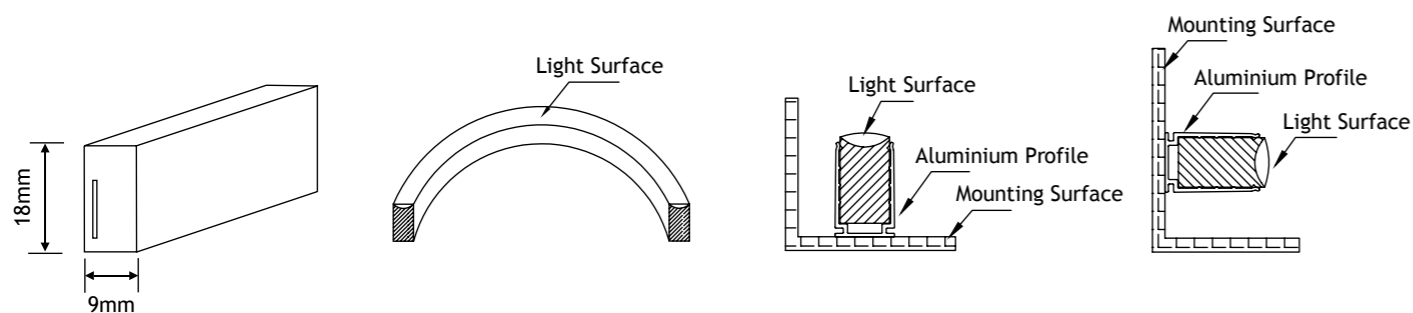
- High quality SMD packaging
- Uniform lighting
- No dark spots
- Replacing glass neon lights
- UV, Solvent, Salt water and Flame resistant
- Protection grade of up to IP68
- TUV, UL, CE and RoHS certified

Lifespan >40000 hours (L70)

Warranty 3 years / 13000 hours

NT09

SERIES NT



SERIES NT

Technical

Input Voltage	DC24 V	DC24 V	AC230 V
Colours	Red / Amber	Green / Blue / White	Red / Amber / Green / Blue / White
LED	SMD 3014	SMD 3014	SMD 3014
LED Quantity	72 pcs/m	72 pcs/m	72 pcs/m
Power	3.5 W/m	5 W/m	5 W/m
Cut Distance	9 LEDs (12.5 cm)	6 LEDs (8.33 cm)	72 LEDs (1 m)
Max Continuous Length	20 m	15 m	100 m
Colour Temperatures	2700 K / 3000 K / 3500 K / 4000 K / 5000 K / 5500 K / 6000 K		
CRI	>75 Ra		
Beam Angle	160°		
SDCM (MacAdam step)	<4		
Starting Time	<1s		
Dimming (DC24 V)	0-10 V / PWM / DALI / TRIAC		
Rated Lifespan	>40000 hrs (L70)		

Materials

Body	PVC (Diffused Optics)
Max Bend Diameter	90 mm

Power Supply (for DC24 V version)

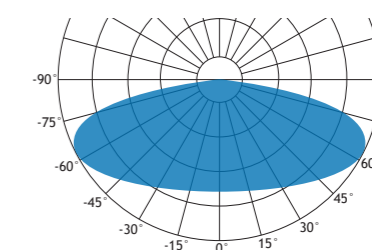
Type	Constant Voltage
Input Voltage	AC100-240 V
Input Frequency	50 / 60 Hz
Output Voltage	DC24 V
Power Factor	> 0.95
Efficiency	> 86 %

Environmental

Operating Temperature	-20 °C ~ 45 °C
Humidity	10 % ~ 90 % RH
IP Rating	IP40 / IP65 / IP68 (DC24 V)
IK Rating	IK08

Lumen Output

	24 V	230 V
Red	45 lm	50 lm
Green	80 lm	80 lm
Blue	15 lm	15 lm
Amber	50 lm	90 lm
White	120 lm @ 2700 K	120 lm @ 2700 K



Product order codes

NT09, DC24 V	NT09-LV
NT09, AC230 V	NT09-HV

NT09 Accessories

SERIES NT

Clasp Connectors (IP68)



Front



End

Aluminium Channels



Lock holding

Pin Connectors (IP68)

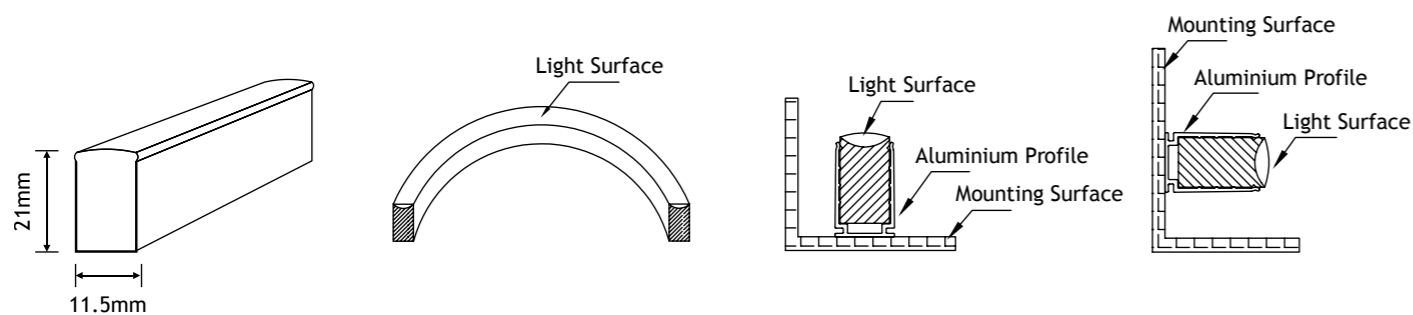


Male & Female



NT11

SERIES NT



SERIES NT

Technical

Input Voltage	DC24 V	DC24 V	AC230 V	AC230 V
Colours	Red / Amber	Green / Blue / White	Red / Amber	Green / Blue / White
LED	SMD 5050	SMD 5050	SMD 2835	SMD 2835
LED Quantity	60 pcs/m	60 pcs/m	72 pcs/m	72 pcs/m
Power	6.5 W/m	10.6 W/m	8 W/m	12 W/m
Cut Distance	10 LEDs (16.7 cm)	6 LEDs (10 cm)	72 LEDs (1 m)	72 LEDs (1 m)
Max Continuous Length	15 m	10 m	100 m	80 m
Colour Temperatures	2700 K / 3000 K / 3500 K / 4000 K / 5000 K / 5500 K / 6000 K			
CRI	>75 Ra			
Beam Angle	160°			
SDCM (MacAdam step)	<4			
Starting Time	<1s			
Dimming (DC24 V)	0-10 V / PWM / DALI / TRIAC			
Rated Lifespan	>40000 hrs (L70)			

Materials

Body	PVC (Diffused Optics)
Max Bend Diameter	120 mm

Power Supply (for DC24 V version)

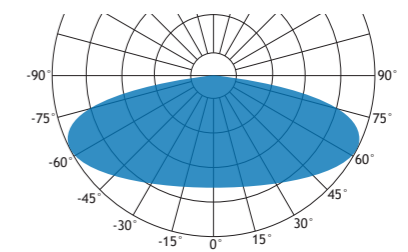
Type	Constant Voltage
Input Voltage	AC100-240 V
Input Frequency	50 / 60 Hz
Output Voltage	DC24 V
Power Factor	> 0.95
Efficiency	> 86 %

Environmental

Operating Temperature	-20 °C ~ 45 °C
Humidity	10 % ~ 90 % RH
IP Rating	IP40 / IP65 / IP68 (DC24 V)
IK Rating	IK08

Lumen Output

	24 V	230 V
Red	100 lm	75 lm
Green	250 lm	130 lm
Blue	35 lm	25 lm
Amber	75 lm	55 lm
White	320 lm @ 2700 K	240 lm @ 2700 K



Product order codes

NT11, DC24 V	NT11-LV
NT11, AC230 V	NT11-HV

NT11

SERIES NT



Coloured Jacket

Same specifications as NT11-LV and NT11-HV *

RGB

Input Voltage	DC24 V
LED	SMD 5050
LED Quantity	60 pcs/m
Power	12 W/m
Cut Distance	6 LEDs (10 cm)
Max Continuous Length	10 m

Programmable (DMX)

Input Voltage	DC24 V
LED	SMD 5050
LED Quantity	56 pcs/m
Power	12 W/m
Cut Distance	7 LEDs (12.5 cm)
Max Continuous Length	15 m

Product order codes

NT11, Coloured Jacket, DC24 V	NT11-LV-CJ
NT11, Coloured Jacket, AC230 V	NT11-HV-CJ
NT11, RGB	NT11-RGB
NT11, Programmable	NT11-DMX

SERIES NT

NT11 Accessories

Sleeve Connectors (IP40)



Front

End

Screw Connectors (IP68)



Front

End

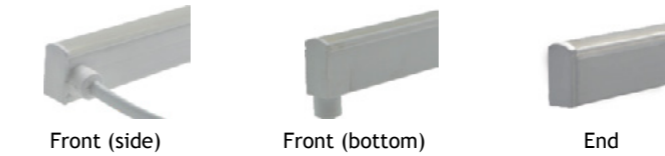
Clasp Connectors (IP68)



Front

End

Injection mould Connectors (IP68)

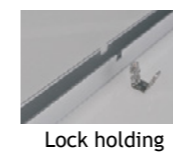


Front (side)

Front (bottom)

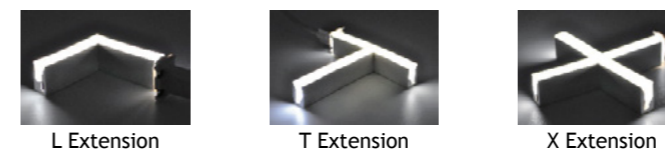
End

Aluminium Channels



Lock holding

Extensions

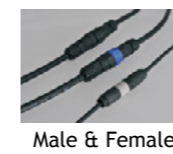


L Extension

T Extension

X Extension

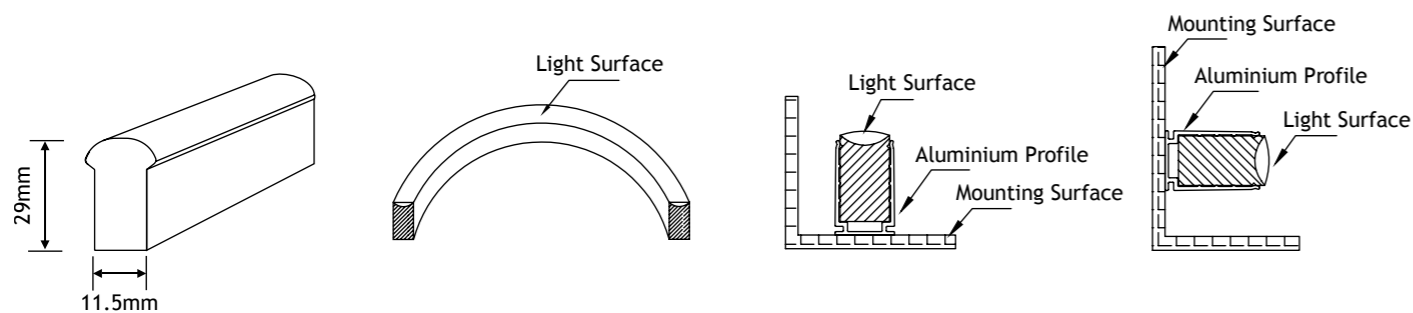
Pin Connectors (IP68)



Male & Female

NT12

SERIES NT



SERIES NT

Technical

Input Voltage	DC24 V	DC24 V	AC230 V	AC230 V
Colours	Red / Amber	Green / Blue / White	Red / Amber	Green / Blue / White
LED	SMD 5050	SMD 5050	SMD 2835	SMD 2835
LED Quantity	60 pcs/m	60 pcs/m	72 pcs/m	72 pcs/m
Power	6.5 W/m	10.6 W/m	8 W/m	12 W/m
Cut Distance	10 LEDs (16.7 cm)	6 LEDs (10 cm)	72 LEDs (1 m)	72 LEDs (1 m)
Max Continuous Length	15 m	10 m	100 m	80 m
Colour Temperatures	2700 K / 3000 K / 3500 K / 4000 K / 5000 K / 5500 K / 6000 K			
CRI	>75 Ra			
Beam Angle	160°			
SDCM (MacAdam step)	<4			
Starting Time	<1s			
Dimming (DC24 V)	0-10 V / PWM / DALI / TRIAC			
Rated Lifespan	>40000 hrs (L70)			

Materials

Body	PVC (Diffused Optics)
Max Bend Diameter	120 mm

Power Supply (for DC24 V version)

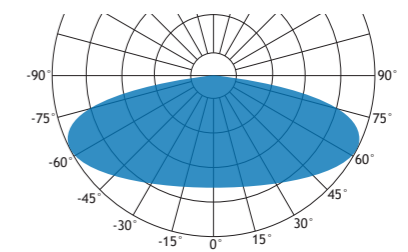
Type	Constant Voltage
Input Voltage	AC100-240 V
Input Frequency	50 / 60 Hz
Output Voltage	DC24 V
Power Factor	> 0.95
Efficiency	> 86 %

Environmental

Operating Temperature	-20 °C ~ 45 °C
Humidity	10 % ~ 90 % RH
IP Rating	IP40 / IP65 / IP68 (DC24 V)
IK Rating	IK08

Lumen Output

	24 V	230 V
Red	120 lm	90 lm
Green	280 lm	210 lm
Blue	40 lm	35 lm
Amber	90 lm	65 lm
White	380 lm @ 2700 K	260 lm @ 2700 K

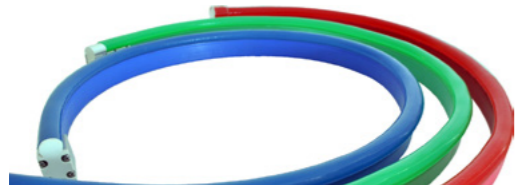


Product order codes

NT12, DC24 V	NT12-LV
NT12, AC230 V	NT12-HV

NT12

SERIES NT



Coloured Jacket

Same specifications as NT12-LV and NT12-HV *

RGB

Input Voltage	DC24 V
LED	SMD 5050
LED Quantity	60 pcs/m
Power	12 W/m
Cut Distance	6 LEDs (10 cm)
Max Continuous Length	10 m

Programmable (DMX)

Input Voltage	DC24 V
LED	SMD 5050
LED Quantity	56 pcs/m
Power	12 W/m
Cut Distance	7 LEDs (12.5 cm)
Max Continuous Length	15 m

Product order codes

NT12, Coloured Jacket, DC24 V	NT12-LV-CJ
NT12, Coloured Jacket, AC230 V	NT12-HV-CJ
NT12, RGB	NT12-RGB
NT12, Programmable	NT12-DMX

SERIES NT

NT12 Accessories

Sleeve Connectors (IP40)



Front

End

Screw Connectors (IP68)



Front

End

Clasp Connectors (IP68)



Front

End

Injection mould Connectors (IP68)

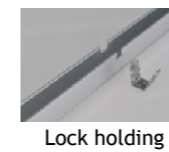


Front (side)

Front (bottom)

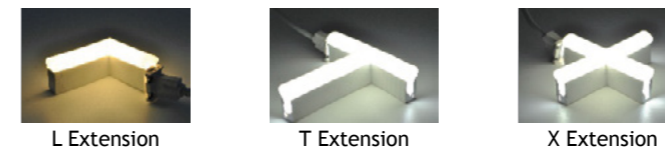
End

Aluminium Channels



Lock holding

Extensions

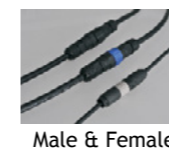


L Extension

T Extension

X Extension

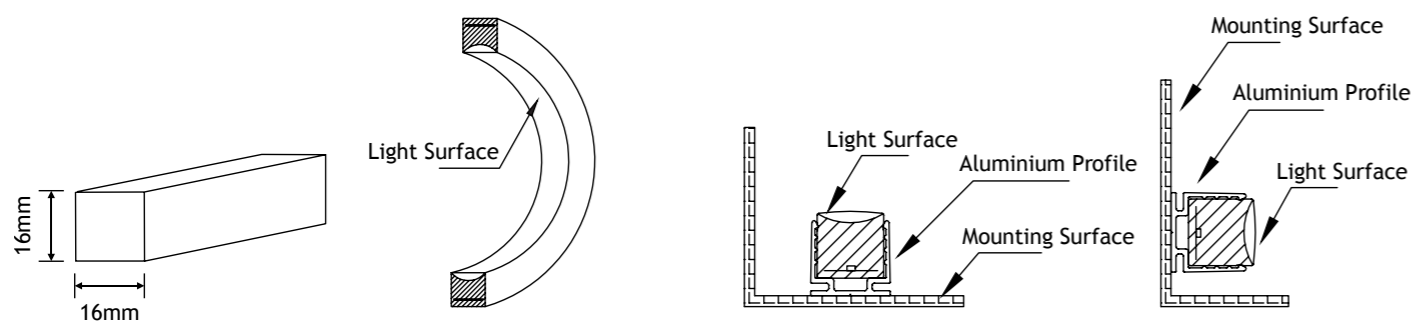
Pin Connectors (IP68)



Male & Female

NT16

SERIES NT



SERIES NT

Technical

Input Voltage	DC24 V	DC24 V
Colours	Red / Amber	Green / Blue / White
LED	SMD 3014	SMD 3014
LED Quantity	108 pcs/m	108 pcs/m
Power	7.2 W/m	10.5 W/m
Cut Distance	9 LEDs (8.33 cm)	6 LEDs (5.6 cm)
Max Continuous Length	15 m	10 m
Colour Temperatures	2700 K / 3000 K / 3500 K / 4000 K / 5000 K / 5500 K / 6000 K	
CRI	>75 Ra	
Beam Angle	160°	
SDCM (MacAdam step)	<4	
Starting Time	<1s	
Dimming (DC24 V)	0-10 V / PWM / DALI / TRIAC	
Rated Lifespan	>40000 hrs (L70)	

Materials

Body	PVC (Diffused Optics)
Max Bend Diameter	300 mm

Power Supply (for DC24 V version)

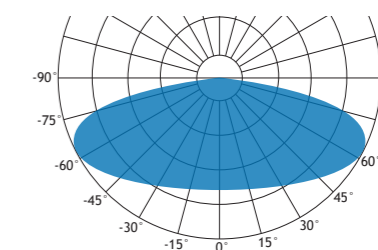
Type	Constant Voltage
Input Voltage	AC100-240 V
Input Frequency	50 / 60 Hz
Output Voltage	DC24 V
Power Factor	> 0.95
Efficiency	> 86 %

Environmental

Operating Temperature	-20 °C ~ 45 °C
Humidity	10 % ~ 90 % RH
IP Rating	IP40 / IP68
IK Rating	IK08

Lumen Output

	24 V
Red	180 lm
Green	360 lm
Blue	50 lm
Amber	160 lm
White	450 lm @ 2700 K



Product order codes

NT16, DC24 V NT16-LV

NT16 Accessories

SERIES NT

Clasp Connectors (IP68)



Front



End

Injection mould Connectors (IP68)



Front



End

Aluminium Channels



Lock holding

Pin Connectors (IP68)



Male & Female

