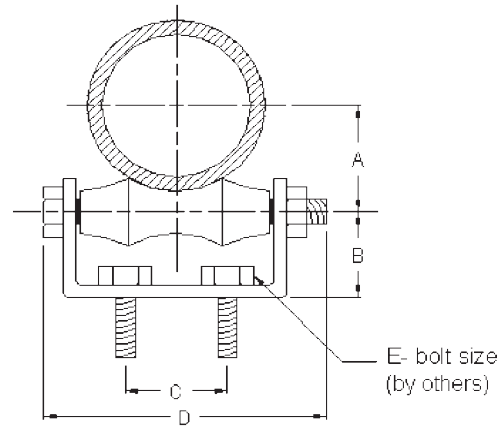


Long Roller Chair

Features + Application Information

- Support of pipes where longitudinal movement, due to expansion and contraction, may occur, and vertical adjustment is not required.
- Complies with Federal Specification A-A-1192A (Type 45)
- Chair can be welded directly to structure or bolted in place using mounting holes which are standard construction.
- Complies with ANSI/MSS SP-58-2009 (Type 44)

Dimensional + Model Selection Data



MATERIALS

Item	Description
Roller	Cast Iron
Chair	Low carbon steel
Axle + hex nut	Low carbon steel

Model	Pipe Size (")	Part Dimensions (inches)					Max. Load (lbs)
		A	B	C	D	E	
LRC-20-x	2	1 9/16	1 1/2	1 1/4	4 5/8	3/8 x 1 1/2	300
LRC-25-x	2 1/2	1 7/8	1 5/8	1 1/4	5 3/8	3/8 x 1 1/2	600
LRC-30-x	3	2 3/16	1 3/4	2	6	3/8 x 1 1/2	600
LRC-35-x	3 1/2	2 1/2	2 1/16	2	6 3/4	3/8 x 1 1/2	600
LRC-40-x	4	2 3/4	2 5/16	2	7 1/4	1/2 x 1 1/2	700
LRC-50-x	5	3 3/8	2 1/2	3	8 7/16	1/2 x 1 1/2	700
LRC-60-x	6	3 15/16	2 3/4	3 1/8	9 3/4	1/2 x 1 1/2	1000
LRC-80-x	8	5 1/16	3	3 3/8	12	5/8 x 1 1/2	1300
LRC-100-x	10	6 1/4	3 5/8	5 1/4	14 7/16	5/8 x 2	1700
LRC-120-x	12	7 3/8	4 1/8	5 1/2	16 5/8	5/8 x 2	2300
LRC-140-x	14	8 1/4	4 5/8	5 3/4	18 3/8	5/8 x 2	3000
LRC-160-x	16	9 1/4	5 1/4	8	20 5/8	5/8 x 2	4000
LRC-180-x	18	10 3/8	5 1/8	9 1/2	22 5/8	5/8 x 2	4000
LRC-200-x	20	11 1/2	5 5/8	10	25	3/4 x 2 1/4	4000
LRC-240-x	24	13 13/16	6 5/8	12	29 3/4	3/4 x 2 1/4	4000
LRC-300-x	30	17 1/4	7 1/8	14	36 1/2	1 x 2 1/2	4000

Choose appropriate model for required finish:

P-Plain. G-Electro Galvanized. H-Hot Dip Galvanized (non-threaded components only)

Adjustable Long Roller Support

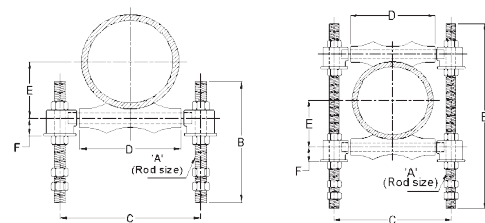
Features + Application Information

- Support of pipes where longitudinal movement, due to expansion and contraction, may occur, and vertical adjustment is required.
- Design allows for vertical adjustment of pipe after installation.
- Complies with Federal Specification A-A-1192A (Type 42)
- Complies with ANSI/MSS SP-58-2009 (type 41)

Dimensional + Model Selection Data

ALRS models

ALRSG models



MATERIALS

Item	Description
Roller	Cast Iron
Axle(s) + Rods + Hex Nuts	Low carbon steel
Sockets	Malleable Cast Iron

Model	Pipe Size (")	Part Dimensions (inches)							Max. Load (lbs)
		A	B		C	D	E	F	
			ALRS	ALRSG					
ALRx(x)-40-x	4	5/8	12	18	6 3/4	4 3/4	2 3/4	3/4	750
ALRx(x)-50-x	5	5/8	12	18	8 1/16	5 13/16	3 3/8	3/4	750
ALRx(x)-60-x	6	3/4	12	24	9 9/16	6 7/8	3 15/16	1 1/8	1070
ALRx(x)-80-x	8	7/8	12	24	11 15/16	8 7/8	5 1/16	1 1/8	1350
ALRx(x)-100-x	10	7/8	12	30	14 1/16	11	6 1/4	1 1/8	1730
ALRx(x)-120-x	12	7/8	12	30	15 13/16	13	7 3/8	1 1/8	2400
ALRx(x)-140-x	14	1	12	36	17 3/4	14 1/4	8 1/4	1 1/2	3130
ALRx-160-x	16	1 1/4	18	NA	20 1/2	16 1/4	9 1/4	1 5/8	3970
ALRx-180-x	18	1 1/4	18		22 3/8	18 1/4	10 3/8	1 5/8	4200
ALRx-200-x	20	1 1/4	18		24 1/2	20 1/4	11 1/2	1 3/4	4550
ALRx-240-x	24	1 1/2	24		28 5/16	24 1/4	13 13/16	2	6000
ALRx-300-x	30	1 1/2	24		35	30 1/4	17 1/4	2 1/4	6000

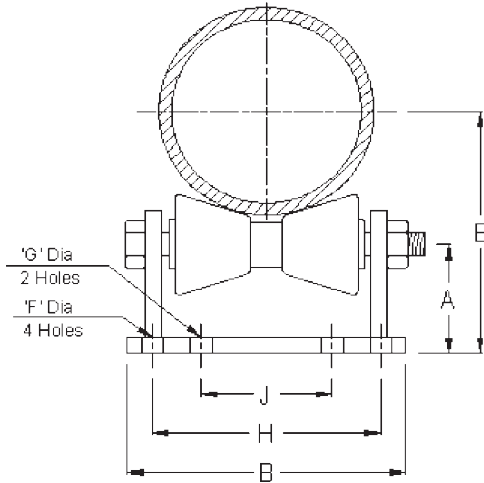
- Choose appropriate model for required finish:
P-Plain. G-Electro Galvanized. H-Hot Dip Galvanized (non-threaded components only)
- Choose appropriate model as per requirement:
ALRS - WITHOUT Guide, ALRSG - WITH Guide
- To order only roller+axle+sockets (for use in ceiling suspended applications with threaded rods) specify model ALRH.

Short Roller Stand

Features + Application Information

- Support of pipes where longitudinal movement, due to expansion and contraction, may occur, and vertical adjustment is not required.
- Chair can be welded directly to structure or bolted in place using mounting holes which are standard construction.
- Complies with ANSI/MSS SP-58-2009 (Type 44) upto size 360.420 only
- Complies with Federal Specification A-A-1192A (Type 45) upto size 360.420 only

Dimensional + Model Selection Data



MATERIALS

Item	Description
Roller	Cast Iron
Chair	Low carbon steel
Axle + hex nut	Low carbon steel

Model	Pipe Size (inches)	Part Dimensions (inches)						Max. Load (lbs)
		A	B	E	F	G	H	
SRS-20.35-x	2	1 3/4	5	3 11/16	1/2	9/16	3 7/16	390
	2 1/2	1 3/4	5	3 15/16	1/2	9/16	3 7/16	390
	3	1 3/4	5	4 1/4	1/2	9/16	3 7/16	390
	3 1/2	1 3/4	5	4 1/2	1/2	9/16	3 7/16	390
SRS-40.60-x	4	2 1/16	6 1/4	5	1/2	9/16	4 11/16	950
	5	2 1/16	6 1/4	5 9/16	1/2	9/16	4 11/16	950
	6	2 1/16	6 1/4	6 1/16	1/2	9/16	4 11/16	950
SRS-80.100-x	8	3 7/16	8 1/2	8 13/16	5/8	11/16	7	2100
	10	3 7/16	8 1/2	9 7/8	5/8	11/16	7	2100
SRS-120.140-x	12	3 7/8	10 15/16	11 7/16	3/4	13/16	9 1/16	3075
	14	3 7/8	10 15/16	12 1/16	3/4	13/16	9 1/16	3075
SRS-160.200-x	16	4 1/4	12 3/8	13 5/8	13/16	13/16	10 1/4	4980
	18	4 1/4	12 3/8	14 11/16	13/16	13/16	10 1/4	4980
	20	4 1/4	12 3/8	15 11/16	13/16	13/16	10 1/4	4980
SRS-220.240-x	22	4 3/8	13 1/2	18 11/16	13/16	13/16	11 3/8	6100
	24	4 3/8	13 1/2	17 11/16	13/16	13/16	11 3/8	6100
SRS-260.300-x	26	5 1/8	17	19 3/4	1 1/16	1 1/16	14 1/4	7500
	28	5 1/8	17	20 3/4	1 1/16	1 1/16	14 1/4	7500
	30	5 1/8	17	21 3/4	1 1/16	1 1/16	14 1/4	7500
SRS-360.420-x	36	5 5/8	19 1/4	25 7/8	1 5/16	1 5/16	16 1/2	12000
	38	5 5/8	19 1/4	26 7/8	1 5/16	1 5/16	16 1/2	12000
	40	5 5/8	19 1/4	27 7/8	1 5/16	1 5/16	16 1/2	12000
	42	5 5/8	19 1/4	28 7/8	1 5/16	1 5/16	16 1/2	12000
SRS-440.600-x	48	6 13/32	22	33 1/4	1 5/16	1 5/16	19 1/32	12000
	54	6 13/32	22	36 1/4	1 5/16	1 5/16	19 1/32	12000
	60	6 13/32	22	39 1/4	1 5/16	1 5/16	19 1/32	12000

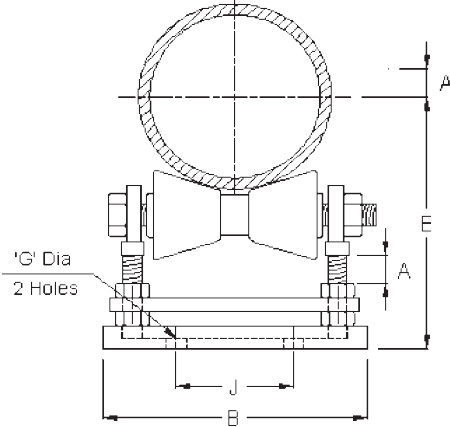
Choose appropriate model for required finish: *P-Plain. G-Electro Galvanized. H-Hot Dip Galvanized (non-threaded components only)*

Adjustable Short Roller Stand

Features + Application Information

- Support of pipes where longitudinal movement, due to expansion and contraction, may occur, and vertical adjustment is required.
- Chair can be welded directly to structure or bolted in place using mounting holes which are standard construction.
- Design allows for vertical adjustment of pipe after installation.
- Complies with Federal Specification A-A-1192A (Type 47)
- Complies with ANSI/MSS SP-58-2009 (Type 46)

Dimensional + Model Selection Data



Model	Pipe Size (")	Part Dimensions (inches)					Max. Load (lbs)	
		A	B	E	G	J		
ASRS-20.35-x	2	7/8	5 1/2	4 3/4	9/16	1 1/2	390	
	2 1/2	7/8	5 1/2	5	9/16	1 1/2	390	
	3	7/8	5 1/2	5 5/16	9/16	1 1/2	390	
	3 1/2	7/8	5 1/2	5 9/16	9/16	1 1/2	390	
ASRS-40.60-x	4	1 1/4	6 3/4	6 3/16	9/16	2 1/4	950	
	5	1 1/4	6 3/4	6 3/4	9/16	2 1/4	950	
	6	1 1/4	6 3/4	7 1/4	9/16	2 1/4	950	
ASRS-80.100-x	8	1 9/16	9	10 1/8	11/16	4	2100	
	10	1 9/16	9	11 3/16	11/16	4	2100	
ASRS-120.140-x	12	1 3/8	11 7/16	12 3/4	13/16	5 3/4	3075	
	14	1 3/8	11 7/16	13 3/8	13/16	5 3/4	3075	
ASRS-160.200-x	16	1 7/8	12 7/8	15 3/8	13/16	6 3/4	4980	
	18	1 7/8	12 7/8	16 7/16	13/16	6 3/4	4980	
	20	1 7/8	12 7/8	17 7/16	13/16	6 3/4	4980	
ASRS-240-x	24	2	14	19 1/4	13/16	7 1/2	6100	
ASRS-300-x	30	2 1/4	17 1/2	24 7/16	##	##	10	7500

MATERIALS

Item	Description
Roller	Cast Iron
Chair	Low carbon steel
Axle + hex nuts + bolts	Low carbon steel

Choose appropriate model for required finish:

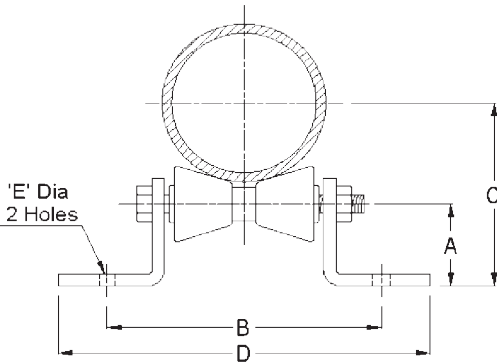
P-Plain. G-Electro Galvanized. H-Hot Dip Galvanized (non-threaded components only)

Short Roller Base Stand

Features + Application Information

- Support of pipes where longitudinal movement, due to expansion and contraction, may occur, and vertical adjustment is not required.
- Base brackets designed for mounting on struts / metal framing.

Dimensional + Model Selection Data



Model	Pipe Size (")	Part Dimensions (inches)					Max. Load (lbs)
		A	B	C	D	E	
SRBS-20.35-x	2	1 13/16	5 1/4	3 1/8	6 7/8	9/16	390
	2 1/2	1 13/16	5 1/4	3 3/8	6 7/8	9/16	390
	3	1 13/16	5 1/4	3 11/16	6 7/8	9/16	390
	3 1/2	1 13/16	5 1/4	3 15/16	6 7/8	9/16	390
SRBS-40.60-x	4	1 7/16	6 1/4	4 3/8	7 7/8	9/16	600
	5	1 7/16	6 1/4	4 15/16	7 7/8	9/16	600
	6	1 7/16	6 1/4	5 7/16	7 7/8	9/16	600
SRBS-80.100-x	8	1 13/16	8 1/2	7 3/16	10 1/8	9/16	800
	10	1 13/16	8 1/2	8 1/2	10 1/8	9/16	800
SRBS-120.140-x	12	2 7/16	11 3/4	10	13 5/8	13/16	1300
	14	2 7/16	11 3/4	10 5/8	13 5/8	13/16	1300
SRBS-160.200-x	16	2 5/8	12 3/8	12	14 5/8	13/16	2300
	18	2 5/8	12 3/8	13 1/16	14 5/8	13/16	2300
	20	2 5/8	12 3/8	14 1/16	14 5/8	13/16	2300

Choose appropriate model for required finish:

P-Plain. G-Electro Galvanized. H-Hot Dip Galvanized (non-threaded components only)

MATERIALS

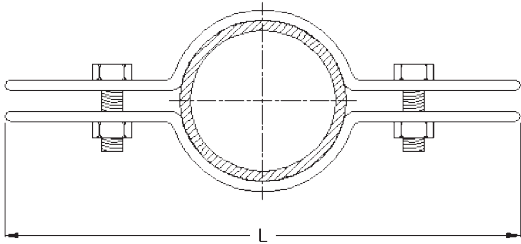
Item	Description
Angle Brackets	Low carbon steel
Roller	Cast Iron
Axle + hex nuts	Low carbon steel

Standard Riser Pipe Clamp

Features + Application Information

1. Support and stabilization of vertical pipe runs.
2. Design allows distribution of piping weight over several floors.
3. Complies with Federal Specification A-A-1192A (Type 8)
4. Complies with ANSI/MSS SP-58-2009 (Type 8)

Dimensional + Model Selection Data



Model	Pipe Size (inches)	Length L (inches)	Max. Load (lbs)
SRPC-5-x	1/2	9	255
SRPC-7-x	3/4	9 1/4	255
SRPC-10-x	1	9 9/16	255
SRPC-12-x	1 1/4	10	255
SRPC-15-x	1 1/2	10 5/16	255
SRPC-20-x	2	10 3/4	255
SRPC-25-x	2 1/2	11 1/4	390
SRPC-30-x	3	11 15/16	530
SRPC-35-x	3 1/2	12 3/8	670
SRPC-40-x	4	12 7/8	810
SRPC-50-x	5	14	1160
SRPC-60-x	6	15 1/16	1570
SRPC-80-x	8	17 1/4	2500
SRPC-100-x	10	19 7/16	2500
SRPC-120-x	12	21 11/16	2700
SRPC-140-x	14	23 1/2	2700
SRPC-160-x	16	25 5/8	2900
SRPC-180-x	18	27 5/8	2900
SRPC-200-x	20	30	2900
SRPC-240-x	24	33 1/2	2900
SRPC-280-x	28	38	2900
SRPC-300-x	30	40	2900
SRPC-320-x	32	42	2900

MATERIALS

Item	Description
Clamp	Low carbon steel
Bolt + nuts	Low carbon steel

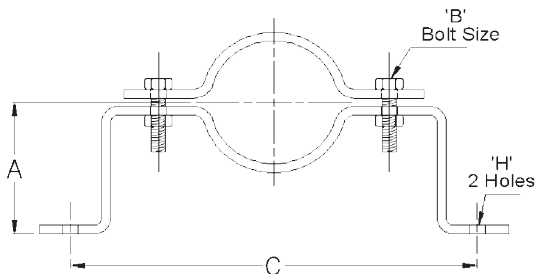
1. Choose appropriate model for required finish: *P-Plain. G-Electro Galvanized. H-Hot Dip Galvanized (non-threaded components only)*
2. Add "L" to model suffix to add 1/8" internal elastomeric lining (e.g. SRPCL). Horizontal ID of lined hanger will reduce by 1/4"
3. Contact factory for copper pipe applications.

Offset Riser Pipe Clamp

Features + Application Information

1. Support / stabilization of pipes at a fixed distance away from wall or structure.
2. Simple, quick installation
3. Bracket can be welded directly to structure or bolted in place using mounting holes which are furnished as standard.

Dimensional + Model Selection Data



MATERIALS

Item	Description
Clamp + Bracket	Low carbon steel
Bolt + nuts	Low carbon steel

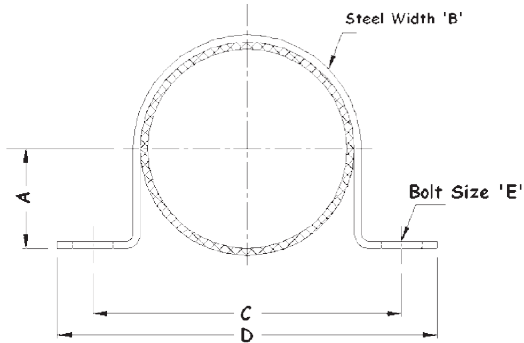
Model	Pipe Size (")	Part Dimensions (inches)				Max. Load (lbs)
		A	B	C	H	
ORPC-5-x	1/2	2 1/2	3/8 x 1 1/2	6	7/16	190
ORPC-7-x	3/4	2 1/2	3/8 x 1 1/2	7 5/16	7/16	190
ORPC-10-x	1	2 5/8	3/8 x 1 1/2	7 9/16	7/16	190
ORPC-12-x	1 1/4	2 13/16	3/8 x 1 1/2	7 7/8	7/16	190
ORPC-15-x	1 1/2	2 15/16	3/8 x 1 1/2	8 1/4	7/16	190
ORPC-20-x	2	3 3/16	3/8 x 1 3/4	9 1/8	7/16	420
ORPC-25-x	2 1/2	3 7/16	3/8 x 1 3/4	10 1/2	7/16	420
ORPC-30-x	3	3 3/4	3/8 x 1 3/4	11 1/8	7/16	420
ORPC-40-x	4	4 1/4	1/2 x 2	12 1/2	9/16	610
ORPC-50-x	5	4 3/4	1/2 x 2 1/4	13 3/4	9/16	610
ORPC-60-x	6	5 5/16	1/2 x 2 1/4	16 1/2	9/16	870
ORPC-80-x	8	6 5/16	1/2 x 2 1/2	18 5/8	9/16	870
ORPC-100-x	10	7 3/4	3/4 x 3	23	13/16	870
ORPC-120-x	12	8 3/4	3/4 x 3	25	13/16	870

1. Choose appropriate model for required finish: *P-Plain. G-Electro Galvanized. H-Hot Dip Galvanized (non-threaded components only)*
2. Add "L" to model suffix to add 1/8" internal elastomeric lining (e.g. ORPCL). Horizontal ID of lined hanger will reduce by 1/4"
3. Contact factory for copper pipe applications.

Features + Application Information

1. Support / guide / anchor of pipes flush with mounting surface
2. Simple, quick installation
3. Bracket can be welded directly to structure or bolted in place using mounting holes which are furnished as standard.

Dimensional + Model Selection Data



MATERIALS

Item	Description
Clamp	Low carbon steel

1. Choose appropriate model for required finish:
P-Plain. G-Electro Galvanized. H-Hot Dip Galvanized (non-threaded components only)
2. Add "L" to model suffix to add 1/8" internal elastomeric lining (e.g. *SUCL*). Horizontal ID of lined hanger will reduce by 1/4"
3. Refer below for size selection table for insulated / non-insulated pipes.

Insulated Pipe Sizing Chart (SUC ONLY):

Nominal MS Pipe Size (inches)	INSULATION THICKNESS						
	0"	3/4"	1"	1 1/2"	2"	2 1/2"	3"
SUC models							
1/2	5	20	22	30	40	52	60
3/4	7	22	27	35	45	52	65
1	10	22	27	35	45	55	65
1 1/4	12	27	30	40	52	60	70
1 1/2	15	27	30	40	52	60	70
2	20	30	35	45	55	65	77
2 1/2	22	35	40	52	60	70	80
3	30	45	52	55	70	77	89
4	40	55	60	70	77	89	95
5	52	65	70	77	89	95	105
6	60	77	80	89	95	105	115
8	80	n/a	95	105	120	130	145
10	95	115	120	130	145	155	165
12	120	140	145	155	165	175	185
14	140	155	160	165	175	185	200
16	160	n/a	175	185	200	210	220
18	175	n/a	200	210	220	230	240
20	200	n/a	220	230	240	n/a	n/a
24	240	n/a	n/a	n/a	280	n/a	n/a
28	280	n/a	n/a	n/a	n/a	n/a	n/a

MODEL	PIPE SIZE (")	PART DIMENSIONS (inches unless otherwise noted)				
		A	B	C	D	E
SUC-05-x	1/2	0.35	1	2.12	3.11	5/16
SUC-07-x	3/4	0.47	1	2.36	3.34	5/16
SUC-10-x	1	0.61	1	2.63	3.62	5/16
SUC-12-x	1 1/4	0.74	1	2.91	3.89	5/16
SUC-15-x	1 1/2	0.86	1	3.14	4.13	5/16
SUC-20-x	2	1.10	1	3.62	4.60	5/16
SUC-22-x	--	1.12	1	3.97	4.96	5/16
SUC-27-x	--	1.33	1	4.56	5.74	3/8
SUC-30-x	3	1.65	1	5.19	6.37	3/8
SUC-35-x	--	1.81	1	5.70	6.88	3/8
SUC-40-x	4	2.14	1	6.18	7.36	3/8
SUC-45-x	--	2.36	1	6.61	7.79	3/8
SUC-52-x	--	2.57	1	7.36	8.54	3/8
SUC-55-x	--	2.93	1	7.75	8.93	3/8
SUC-60-x	6	3.16	1	8.22	9.40	3/8
SUC-65-x	--	3.32	1 1/2	8.50	9.68	3/8
SUC-70-x	--	3.56	1 1/2	9.25	10.4	3/8
SUC-77-x	--	3.87	1 1/2	9.96	11.1	3/8
SUC-80-x	8	4.19	1 1/2	10.2	11.4	3/8
SUC-89-x	--	4.58	1 1/2	11.6	13.2	1/2
SUC-95-x	--	5.05	1 1/2	12.7	14.3	1/2
SUC-105-x	--	5.59	1 1/2	13.6	15.2	1/2
SUC-115-x	--	6.00	1 1/2	14.5	16.1	1/2
SUC-120-x	12	6.20	1 1/2	14.8	16.4	1/2
SUC-130-x	--	6.63	2	16.1	18.1	5/8
SUC-140-x	14	6.85	2	16.6	18.5	5/8
SUC-145-x	--	7.14	2	17.2	19.1	5/8
SUC-155-x	--	7.59	2	18.1	20.1	5/8
SUC-160-x	16	7.83	2	18.3	20.5	5/8
SUC-165-x	--	8.18	2	19.1	21.3	5/8
SUC-175-x	--	8.60	2	20.4	22.4	5/8
SUC-185-x	--	9.15	2	21.1	23.3	5/8
SUC-200-x	20	9.84	2	22.3	24.5	5/8
SUC-210-x	--	10.30	2	23.5	25.5	5/8
SUC-220-x	--	10.80	2	24.3	26.5	5/8
SUC-230-x	--	11.30	2	25.5	27.5	5/8
SUC-240-x	24	11.80	2	26.3	28.5	5/8
SUC-280-x	28	13.80	2	30.5	32.7	5/8

NOTE:

Models SUC-25, SUC-34, SUC-50, SUC-67, SUC-75, SUC-100, SUC-110, SUC-147, SUC-170, SUC-180, SUC-190 have been discontinued and may be sold till stocks last with factory / distributors

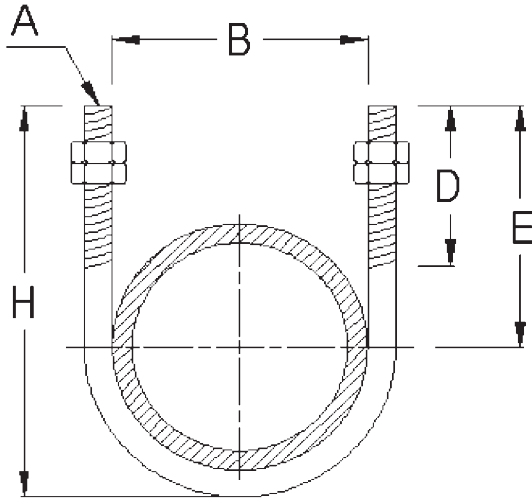
U Bolt

Features + Application Information

1. Support / guide / anchor of pipes
2. Simple, quick installation

3. Complies with Federal Specification A-A-1192A (Type 24)
4. Complies with ANSI/MSS SP-58-2009 (Type 24)

Dimensional + Model Selection Data



Model	Pipe Size (")	Part Dimensions (inches)					Max. Load (lbs)
		A	B	D	E	H	
UB-05-x	1/2	1/4	15/16	2 3/8	2 3/4	3 7/16	435
UB-07-x	3/4	1/4	1 1/8	2 3/8	2 3/4	3 9/16	435
UB-10-x	1	1/4	1 3/8	2 3/8	2 3/4	3 11/16	435
UB-12-x	1 1/4	3/8	1 11/16	2 3/8	2 7/8	4 1/8	1090
UB-15-x	1 1/2	3/8	2	2 1/2	3	4 3/8	1090
UB-20-x	2	3/8	2 7/16	2 5/8	3 1/4	4 7/8	1090
UB-25-x	2 1/2	1/2	2 15/16	3	3 3/4	5 3/4	2020
UB-30-x	3	1/2	3 9/16	3	4	6 1/4	2020
UB-35-x	3 1/2	1/2	4 1/16	3	4 1/4	6 13/16	2020
UB-40-x	4	1/2	4 9/16	3	4 1/2	7 1/4	2020
UB-50-x	5	1/2	5 5/8	3	5	8 5/16	2020
UB-60-x	6	5/8	6 3/4	3 3/4	6 1/8	10 1/16	3230
UB-80-x	8	5/8	8 3/4	3 3/4	7 1/8	12 1/8	3230
UB-100-x	10	3/4	10 7/8	4	8 3/8	14 9/16	4830
UB-120-x	12	7/8	12 7/8	4 1/4	9 5/8	16 15/16	6730
UB-140-x	14	7/8	14 1/8	4 1/4	10 1/4	18 13/16	6730
UB-160-x	16	7/8	16 1/8	4 3/4	11 1/4	22 3/16	6730
UB-180-x	18	1	18 1/8	4 3/4	12 5/8	22 11/16	8850
UB-200-x	20	1	20 1/8	4 3/4	13 5/8	24 11/16	8850
UB-240-x	24	1	24 1/8	4 3/4	15 5/8	28 11/16	8850
UB-300-x	30	1	30 1/8	4 3/4	18 5/8	34 11/16	8850
UB-320-x	32	1	32 1/8	4 3/4	20 5/8	36 11/16	8850

MATERIALS

Item	Description
U bolt + nuts	Low carbon steel

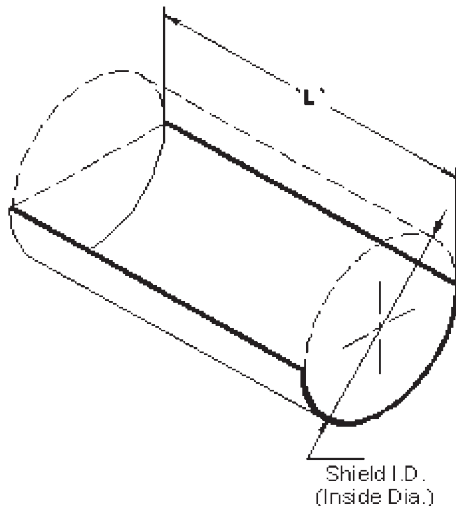
1. Choose appropriate model for required finish:
 P - Plain , G - Electro Galvanized

Insulation Protection Shield

Features + Application Information

1. Protection of insulation when used with pipe supports.
2. Complies with ANSI/MSS SP-58-2009 (Type 40) and Federal Specification A-A-1192A (Type 41) - Model IPS only

Dimensional + Model Selection Data



Model	Shield Size (inches)	I.D. (inches)	LENGTH	
			IPS model (inches)	SIPS model (inches)
IPS / SIPS-15	1 1/2	1.90	12	3
IPS / SIPS-20	2	2.38	12	3
IPS / SIPS-25	2 1/2	2.88	12	4
IPS / SIPS-30	3	3.50	12	4
IPS / SIPS-35	3 1/2	4.00	12	4
IPS / SIPS-40	4	4.50	12	6
IPS / SIPS-45	4 1/2	5.00	12	6
IPS / SIPS-50	5	5.56	12	6
IPS / SIPS-60	6	6.64	12	6
IPS / SIPS-70	7	7.64	18	6
IPS / SIPS-80	8	8.64	18	6
IPS / SIPS-90	9	9.64	18	6
IPS / SIPS-100	10	10.76	18	6
IPS / SIPS-110	11	11.76	24	8
IPS / SIPS-120	12	12.76	24	8
IPS / SIPS-140	14	14.00	24	8
IPS / SIPS-150	15	15.00	24	8
IPS / SIPS-160	16	16.00	24	8
IPS / SIPS-170	17	17.00	24	10
IPS / SIPS-180	18	18.00	24	10
IPS / SIPS-200	20	20.00	24	10
IPS / SIPS-220	22	22.00	24	10
IPS / SIPS-240	24	24.00	24	10
IPS / SIPS-300	30	30.00	24	12
IPS / SIPS-360	36	36.00	24	12

MATERIALS

Item	Description
Shield	Galvanized steel

Note:

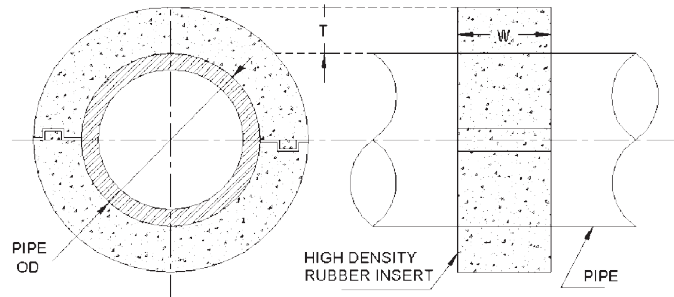
SIPS is designed for high density rigid insulations, which have higher compressive strengths. Hence, length of SIPS is shorter than IPS

High Density Rubber Insert

Features + Application Information

1. Excellent chemical and water resistance
2. Simple field installation (exclusive tongue and groove design)
3. Substitute of insulation when used with pipe supports / hangers
4. Select based on pipe size and insulation thickness
5. Density: 1200 - 1400 kg/m³. Service Temp.: -60°F to 230°F (-51°C to 110°C). Thermal Conductivity: 0.16W/m°C
6. Low thermal conductivity
7. High load bearing capacity
8. Corrosion proof (no metal components)
9. Complies with load bearing capacity safety factors as per Federal Specification A-A-1192A and ANSI/MSS SP-58-2009

Dimensional + Model Selection Data



M.S. PIPE SIZE (inches)	W (inches)	'T' - INSULATION THICKNESS (inches)					
		3/4"	1"	1 1/2"	2"	2 1/2"	3"
1/2"	1"	HDRI-05-07	HDRI-05-10	HDRI-05-15	HDRI-05-20	HDRI-05-25	HDRI-05-30
3/4"		HDRI-07-07	HDRI-07-10	HDRI-07-15	HDRI-07-20	HDRI-07-25	HDRI-07-30
1"		HDRI-10-07	HDRI-10-10	HDRI-10-15	HDRI-10-20	HDRI-10-25	HDRI-10-30
1 1/4"		HDRI-12-07	HDRI-12-10	HDRI-12-15	HDRI-12-20	HDRI-12-25	HDRI-12-30
1 1/2"		HDRI-15-07	HDRI-15-10	HDRI-15-15	HDRI-15-20	HDRI-15-25	HDRI-15-30
2"		HDRI-20-07	HDRI-20-10	HDRI-20-15	HDRI-20-20	HDRI-20-25	HDRI-20-30
2 1/2"	1 1/2"	HDRI-25-07	HDRI-25-10	HDRI-25-15	HDRI-25-20	HDRI-25-25	HDRI-25-30
3"		HDRI-30-07	HDRI-30-10	HDRI-30-15	HDRI-30-20	HDRI-30-25	HDRI-30-30
4"		HDRI-40-07	HDRI-40-10	HDRI-40-15	HDRI-40-20	HDRI-40-25	HDRI-40-30
5"		HDRI-50-07	HDRI-50-10	HDRI-50-15	HDRI-50-20	HDRI-50-25	HDRI-50-30
6"	2"	HDRI-60-07	HDRI-60-10	HDRI-60-15	HDRI-60-20	HDRI-60-25	HDRI-60-30
8"		HDRI-80-10	HDRI-80-15	HDRI-80-20	HDRI-80-25	HDRI-80-30	
10"		HDRI-100-10	HDRI-100-15	HDRI-100-20	HDRI-100-25	HDRI-100-30	
12"		HDRI-120-10	HDRI-120-15	HDRI-120-20	HDRI-120-25	HDRI-120-30	
14"		HDRI-140-10	HDRI-140-15	HDRI-140-20	HDRI-140-25	HDRI-140-30	
16"					HDRI-160-20	HDRI-160-25	HDRI-160-30
18"					HDRI-180-20	HDRI-180-25	HDRI-180-30
20"					HDRI-200-20	HDRI-200-25	HDRI-200-30
22"					HDRI-220-20	HDRI-220-25	HDRI-220-30
24"					HDRI-240-20	HDRI-240-25	HDRI-240-30
26"					HDRI-260-20	HDRI-260-25	HDRI-260-30
28"					HDRI-280-20	HDRI-280-25	HDRI-280-30
30"					HDRI-300-20	HDRI-300-25	HDRI-300-30
32"					HDRI-320-20	HDRI-320-25	HDRI-320-30
34"				HDRI-340-20	HDRI-340-25	HDRI-340-30	
36"				HDRI-360-20	HDRI-360-25	HDRI-360-30	
42"				HDRI-420-20	HDRI-420-25	HDRI-420-30	
48"				HDRI-480-20	HDRI-480-25	HDRI-480-30	