



legg-JD65F6  
legg-JD95F10



legg-JD65HL6  
legg-JD95HL10

**Description**

**Housing** - Die cast aluminium powder coated with choice of RAL colors.

**Diffuser** - Tempered glass diffuser.

**Reflector** - Aluminium reflector.

**Standards** - Manufactured in accordance with IEC 60598.

**LED** - Reducing energy consumption, 50,000 Hrs Life span under temp(-20°C To 50°C).

**Objective**

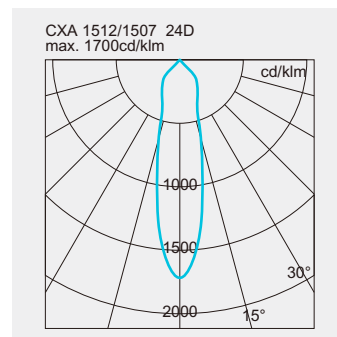
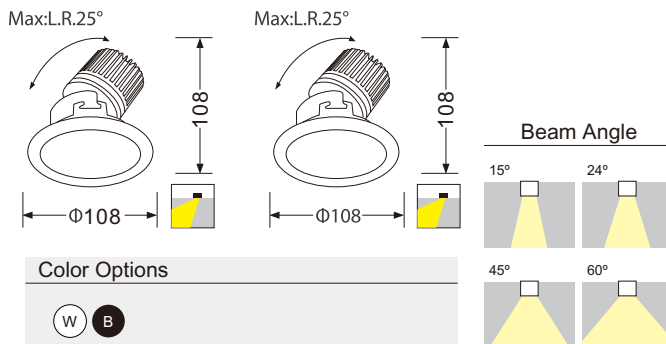
Light designed to direct a narrow intense beam of light at different distances in small area. Illuminating them properly by establishing the focal ratios best suited to each situation. Usually used in Living, Hallway, Bathroom and Etc. Protected against the penetration by solid bodies. Protected against sprays of water.

**Obiettivo**

Luce progettata per dirigere uno stretto intenso fascio di luce a diverse distanze in piccola area. Illuminandoli correttamente stabilendo i rapporti focali migliori adatto a ogni situazione. Solitamente usato in soggiorno, corridoio, bagno ed ecc. Protetto contro la penetrazione di corpi solidi. Protetto contro gli spruzzi d'acqua.

CODE	POWER	IP	BEAM ANGLE	LUMENS	DIMENSION
------	-------	----	------------	--------	-----------

legg-JD65F6	6W	44	15°/24°/45°/60°	110 lm/W	108 x 108mm  Φ95mm
legg-JD95F10	10W	44	15°/24°/45°/60°	110 lm/W	108 x 108mm  Φ95mm
legg-JD65HL6	6W	44	15°/24°/45°/60°	110 lm/W	108 x 108mm  Φ95mm
legg-JD95HL10	10W	44	15°/24°/45°/60°	110 lm/W	108 x 108mm  Φ95mm



- 2700K
- 3000K
- 4000K
- 5000K



CRI >90

-20° C  
55° C

85~265V  
50/60Hz

Leggero  
PHILIPS

LED Chips  
BRIDGELUX  
CREE

