



legg-R006610



legg-R006510

Objective

Light designed to direct a narrow intense beam of light at different distances in small area. Illuminating them properly by establishing the focal ratios best suited to each situation. Usually used in Living, Hallway, Bathroom and Etc. Completely dustproof. Protected against splash of water.

Obiettivo

Luce progettata per dirigere uno stretto intenso fascio di luce a diverse distanze in piccola area. Illuminandoli correttamente stabilendo i rapporti focali migliori adatto a ogni situazione. Solitamente usato in soggiorno, corridoio, bagno ed ecc. Completamente antipolvere. Protetto contro gli spruzzi d'acqua.

Description

Housing - Die cast aluminium powder coated with choice of RAL colors.

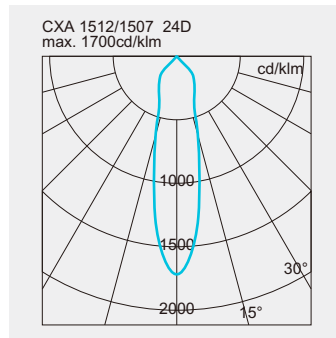
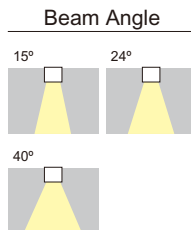
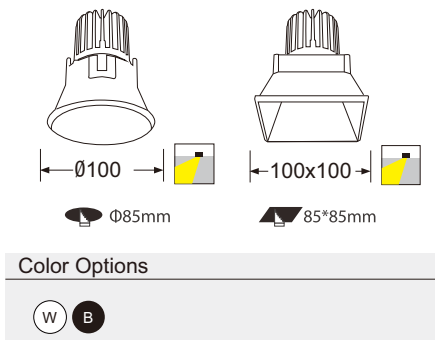
Diffuser - Tempered glass lens diffuser.

Reflector - LED module reflector .

Standards - Manufactured in accordance with IEC 60598.

LED - Reducing energy consumption, 50,000 Hrs Life span under temp(-20°C To 50°C).

CODE	POWER	IP	BEAM ANGLE	LUMENS	DIMENSION
legg-R006610	10W	54	15°/24°/40°	110 lm/W	100mm Ø85mm
legg-R006510	10W	54	15°/24°/40°	110 lm/W	100 x 100mm Ø85*85mm



- 2700K
- 3000K
- 4000K
- 5000K



CRI >90

-20° C
55° C

85~265V
50/60Hz

Leggero
PHILIPS Drivers

BRIDGELUX.
LED CHIPS
CREE

