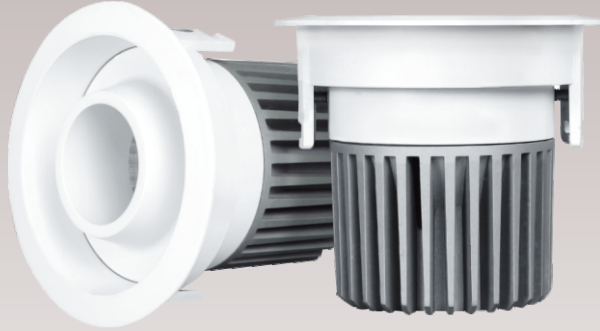


GREEN ENERGY



Objective

Light designed to direct a narrow intense beam of light at different distances in small area. Illuminating them properly by establishing the focal ratios best suited to each situation. Usually used in Living, Hallway, Bathroom and Etc. Completely dustproof. Protected against splash of water.

Description

Housing - Die cast aluminium powder coated with choice of RAL colors.

Diffuser - Tempered glass diffuser.

Reflector - aluminium reflector.

Standards - Manufactured in accordance with IEC 60598.

LED - Reducing energy consumption, 50,000 Hrs Life span under temp(-20°C To 50°C).

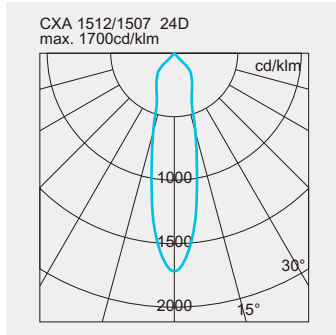
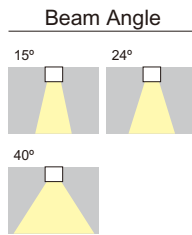
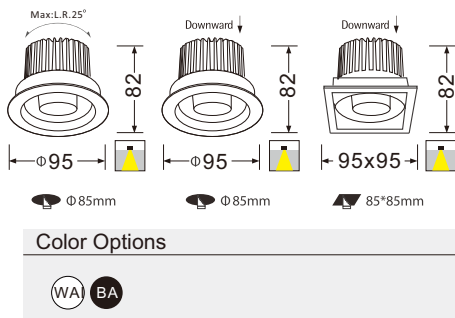


legg-10088B

legg-9585XA

legg-9585XL

CODE	POWER	IP	BEAM ANGEL	LUMENS	DIMENSION
legg-9585XA6	6W	54	15°/24°/40°	110 lm/W	95 x 82mm ⌀85mm
legg-9585XA10	10W	54	15°/24°/40°	110 lm/W	95 x 82mm ⌀85mm
legg-9585XL6	6W	54	15°/24°/40°	110 lm/W	95 x 82mm 85 x 85mm
legg-9585XL10	10W	54	15°/24°/40°	110 lm/W	95 x 82mm 85 x 85mm
legg-10088B6	6W	54	15°/24°/40°	110 lm/W	100 x 82mm ⌀85mm
legg-10088B10	10W	54	15°/24°/40°	110 lm/W	100 x 82mm ⌀85mm



- 2700K
- 3000K
- 4000K
- 5000K



CRI >90

-20° C
55° C

85~265V
50/60Hz

