



legg-XTD102



legg-XTD152

Description

Housing - Die cast aluminium powder coated with choice of RAL colors.

Diffuser - Special PMMA Lens diffuser.

Standards - Manufactured in accordance with IEC 60598.

LED - Reducing energy consumption, 50,000 Hrs Life span under temp(-20°C To 50°C).

Objective

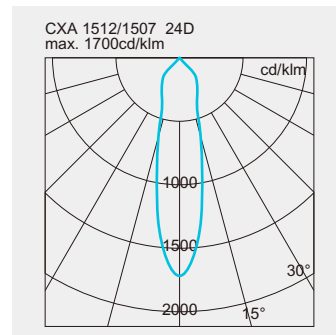
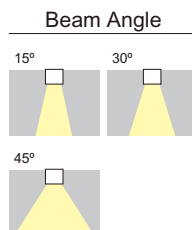
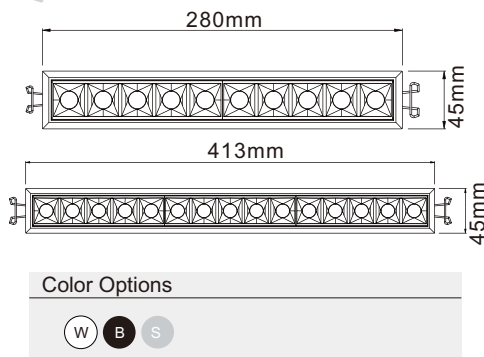
Light designed to direct a narrow intense beam of light at different distances in small area. Illuminating them properly by establishing the focal ratios best suited to each situation. Usually used in Living, Hallway, Bathroom and Etc. Completely dustproof. Protected against high pressure water jets.

Obiettivo

Luce progettata per dirigere uno stretto intenso fascio di luce a diverse distanze in piccola area. Illuminandoli correttamente stabilendo i rapporti focali migliori adatto a ogni situazione. Solitamente usato in soggiorno, corridoio, bagno ed ecc. Completamente antipolvere. Protetto contro i getti d'acqua ad alta pressione.



CODE	POWER	IP	BEAM ANGLE	LUMENS	DIMENSION
legg-XTD102	10*2	65	15°/30°/45°	110 lm/W	280 x 45 x 49mm 273*37mm
legg-XTD152	15*2	65	15°/30°/45°	110 lm/W	413 x 45 x 49mm 405*37mm



- 2700K
- 3000K
- 4000K
- 5000K



CRI >90

-20° C
55° C

85~265V
50/60Hz

Leggero
PHILIPS

LED CHIPS
BRIDGELUX
CREE

