

legg-XTD012

legg-XTD022



legg-XTD052

Objective

Light designed to direct a narrow intense beam of light at different distances in small area. Illuminating them properly by establishing the focal ratios best suited to each situation. Usually used in Living, Hallway, Bathroom and Etc. Completely dustproof. Protected against high pressure water jets.

Obiettivo

Luce progettata per dirigere uno stretto intenso fascio di luce a diverse distanze in piccola area. Illuminandoli correttamente stabilendo i rapporti focali migliori adatto a ogni situazione. Solitamente usato in soggiorno, corridoio, bagno ed ecc. Completamente antipolvere. Protetto contro i getti d'acqua ad alta pressione.

Description

Housing - Die cast aluminium powder coated with choice of RAL colors.

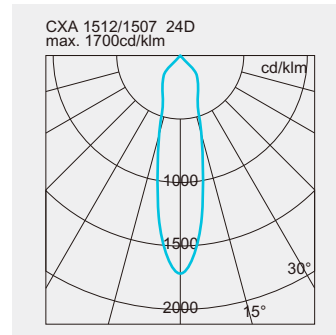
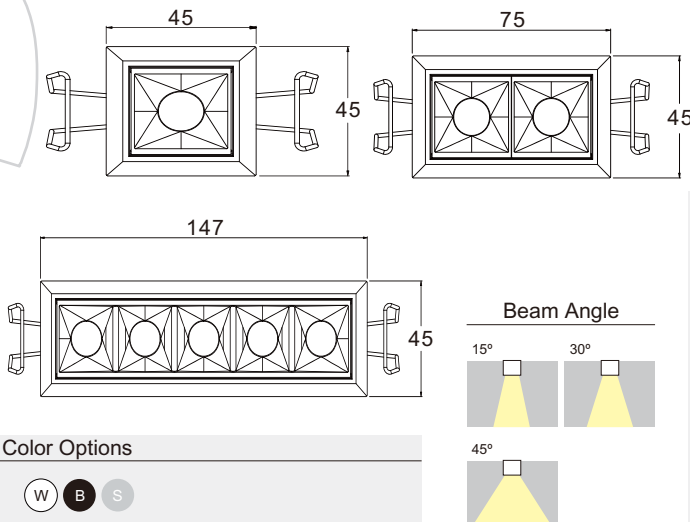
Diffuser - Special PMMA Lens diffuser.

Standards - Manufactured in accordance with IEC 60598.

LED - Reducing energy consumption. 50,000 Hrs Life span under temp(-20°C To 50°C) `



| CODE | POWER | IP | BEAM ANGLE | LUMENS | DIMENSION |
|-------------|-------|----|-------------|----------|----------------------------|
| legg-XTD012 | 1*2W | 65 | 15°/30°/45° | 110 lm/W | 45 x 45 x 49mm ☞ 37*37mm |
| legg-XTD022 | 2*2W | 65 | 15°/30°/45° | 110 lm/W | 75 x 45 x 49mm ☞ 68*37mm |
| legg-XTD052 | 5*2W | 65 | 15°/30°/45° | 110 lm/W | 147 x 45 x 49mm ☞ 140*37mm |



- 2700K
- 3000K
- 4000K
- 5000K



CRI >90

-20° C
55° C

85~265V
50/60Hz

