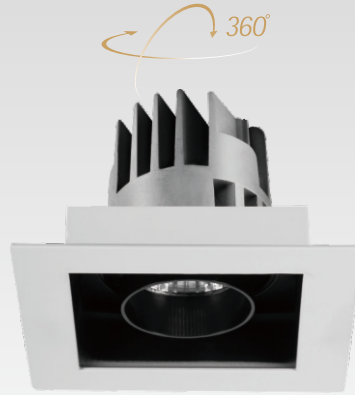
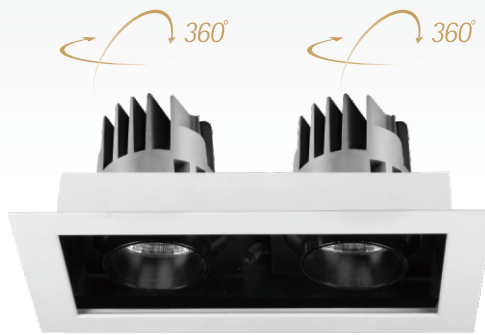


GREEN ENERGY



legg-D1010



legg-D2010

DOWNLIGHT

Perfect for work lighting especially in places where a lot of nice and bright light is required. Since downlight has the advantage of light adjustment they can be installed around the edge of the room to get that clean and streamlined light for that perfect ambience. Protected against sprays of water.

Description

Housing

Die cast aluminium

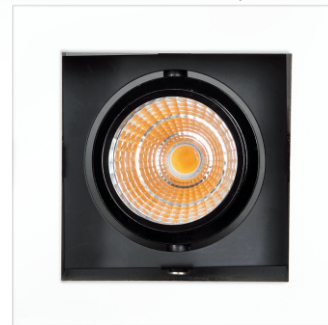
Diffuser

Tempered glass

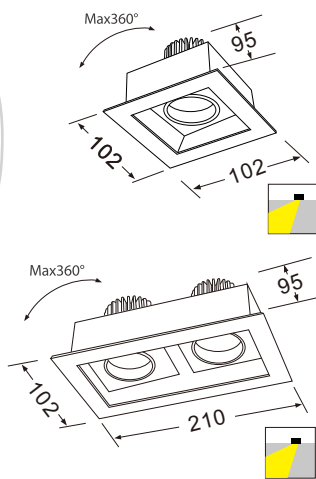
Reflector

Anodized aluminium reflector

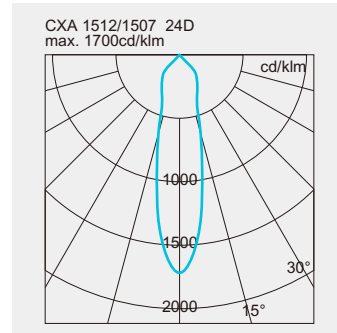
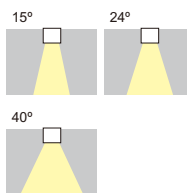
LED-50,000 Hrs Life span



CODE	POWER	IP	BEAM ANGEL	LUMENS	DIMENSION
legg-D1010	1*10W	44	15°/24°/40° Lens:12°24°	110 lm/W	102 mm x 102mm x 95mm ☞ 85*85mm
legg-D2010	2*10W	44	15°/24°/40° Lens:12°24°	110 lm/W	210 mm x 102mm x 95mm ☞ 165*85mm



COB Beam angle



- 2700K
- 3000K
- 4000K
- 5000K

Color Options

WA BA