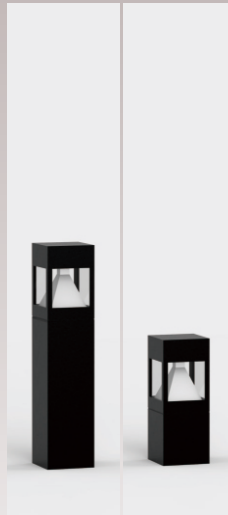


legg-T9152



legg-T9156

**Objective**

This is very suitable in private gardens, public parks and etc. This light delivers excellent performance and outstanding fitting durability. Also, this have a unique design and will be fitted everywhere in external areas. Completely dustproof. Protected against high pressure water jets.

**Obiettivo**

Questo è molto adatto in giardini privati, parchi pubblici ed ecc. Questa luce offre prestazioni eccellenti e una straordinaria durata nel montaggio. Inoltre, questo ha un design unico e verrà montato ovunque nelle aree esterne. Completamente antipolvere. Protetto contro i getti d'acqua ad alta pressione.

**Description**

**Housing** - Die cast aluminium powder coated with choice of RAL colors.

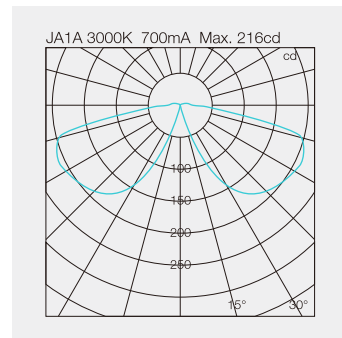
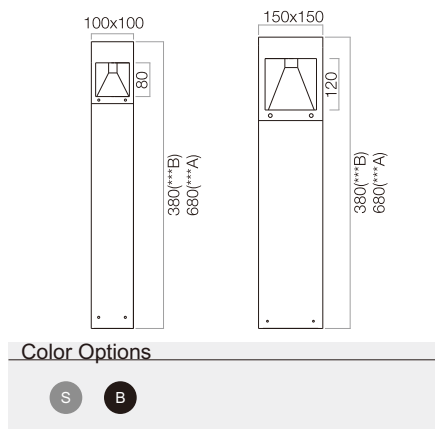
**Diffuser** - Tempered glass diffuser.

**Reflector** - Aluminium reflector.

**Standards** - Manufactured and tested as per PTPS IEC 62722.

**LED** - Reducing energy consumption, 50,000 Hrs Life span under temp(-20°C To 50°C).

CODE	POWER	IP	VOLTAGE	DIMENSION
legg-T9152425	4*2.5W	65	220-230V	100 x 100 x 380mm
legg-T9156825	8*2.5W	65	220-230V	150 x 150 x 380mm



- 2700K
- 3000K
- 4000K
- 5000K



CRI >90

-20° C  
55° C

85~265V  
50/60Hz

