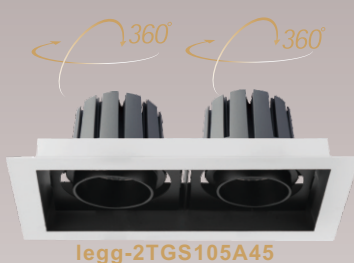


GREEN ENERGY



**Description**

**Housing** - Die cast aluminium powder coated with choice of RAL colors.

**Diffuser** - Tempered glass diffuser.

**Reflector** - Aluminium lamp reflector.

**Standards** - Manufactured and tested as per PTPS IEC 62722.

**LED** - Reducing energy consumption, 50,000 Hrs Life span under temp(-20°C To 50°C).

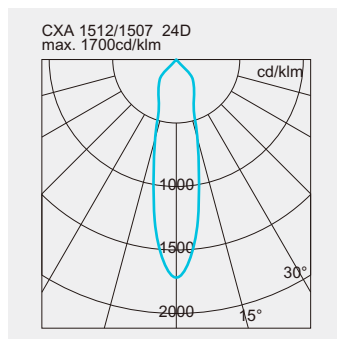
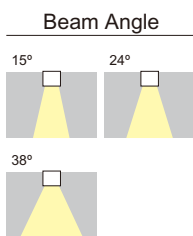
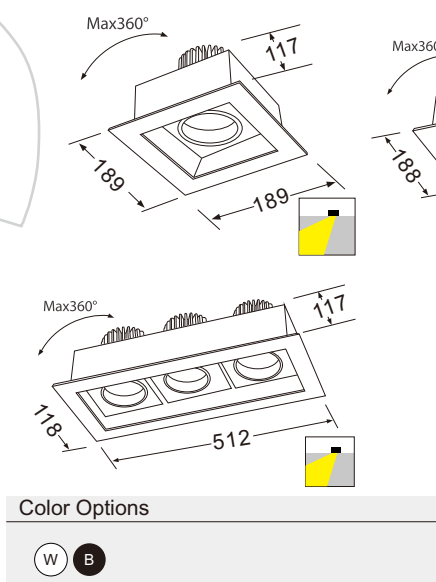
**Objective**

Since downlight has the advantage of light adjustment they can be installed easily around the edge of the room to get that clean and streamlined light for the perfect ambience. Perfect for areas which required bright light and energy saving consumption at the same time. Completely dustproof. Protected against splash of water.

**Obbiettivo**

Poiché il downlight ha il vantaggio della regolazione della luce, è possibile installarlo facilmente lungo il bordo della stanza per ottenere una luce pulita e aerodinamica per l'ambiente perfetto. Perfetto per le aree che richiedevano luce intensa e consumo energetico allo stesso tempo. Completamente antipolvere. Protetto contro gli spruzzi d'acqua.

CODE	POWER	IP	BEAM ANGLE	LUMENS	DIMENSION
legg-GS105A45	1*45W	44-54	15°/24°/38°	110 lm/W	189 x 189 x 117mm ☯ 173*173mm
legg-2GS105A45	2*45W	44-54	15°/24°/38°	110 lm/W	352 x 188 x 117mm ☯ 320*173mm
legg-3GS105A45	3*45W	44-54	15°/24°/38°	110 lm/W	512 x 118 x 117mm ☯ 475*175mm



- 2700K
- 3000K
- 4000K
- 5000K