

PROLINE U-CHANNEL LINTEL

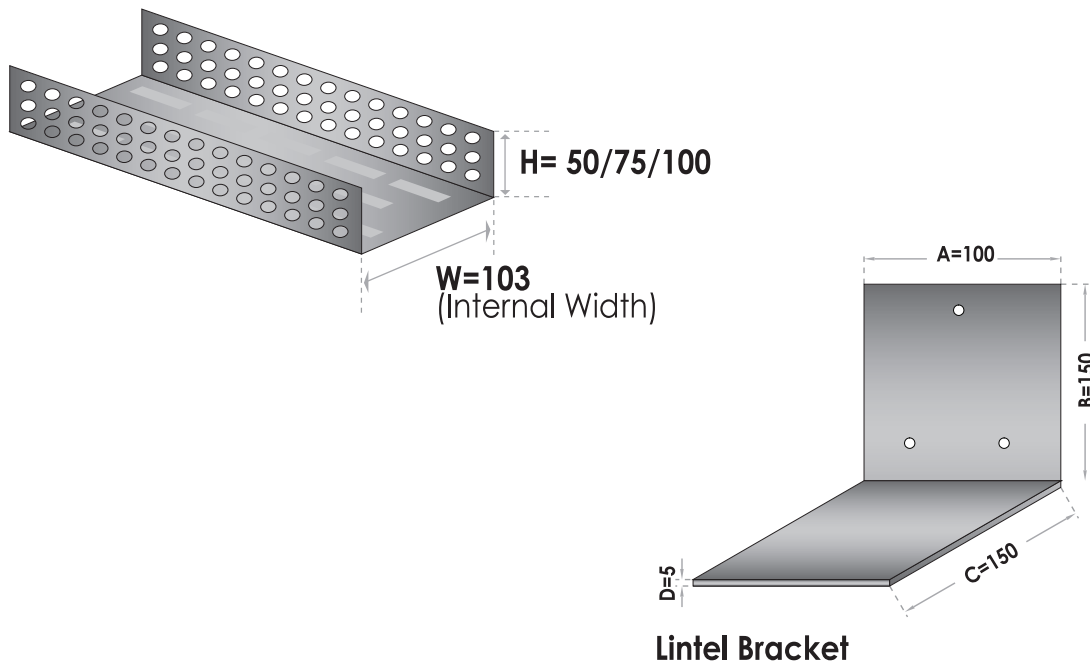
PROLINE 100U - 150U - 200U - 250U



INTRODUCTION

Steel Lintel is used to replace conventional casting of concrete lintels over door openings. Light weight lintels are manufactured using steel of galvanized coating type z275 for anticorrosion. It complies with the requirements and conforms to BS EN 10142: 1991/ASTM-A525/JIS.G3302

PROLINE 100U

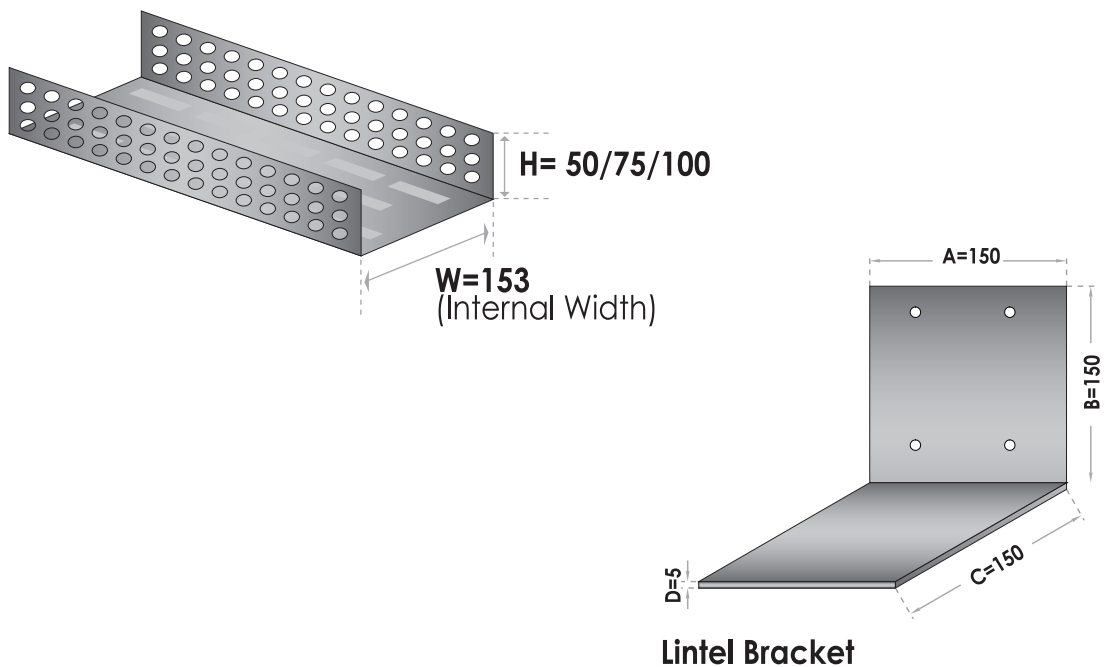


Lintel Ref.	PROLINE 100U																			
Lengths (L)	900-1200				1300-1500				1600-1800				1900-2100				2200-2400			
Height (H)	50		75		50		75		50		75		50		75		50		75	
Material Thickness	2	3	4	4	2	3	4	4	2	3	4	4	2	3	4	4	2	3	4	4
Safe Distributed Loading (tonnes)	0.55	0.93	1.24	1.70	0.42	0.60	0.68	1.28	0.40	0.50	1.04			0.36	0.92			0.27	0.70	
Total Width (W)	103				103				103				103							
Lintel Brackets					A=100				B=150				C=150				D=5			
No. & Diameter of Anchors	3M8 x 80																			

(All Dimensions in mm.)



PROLINE 150U



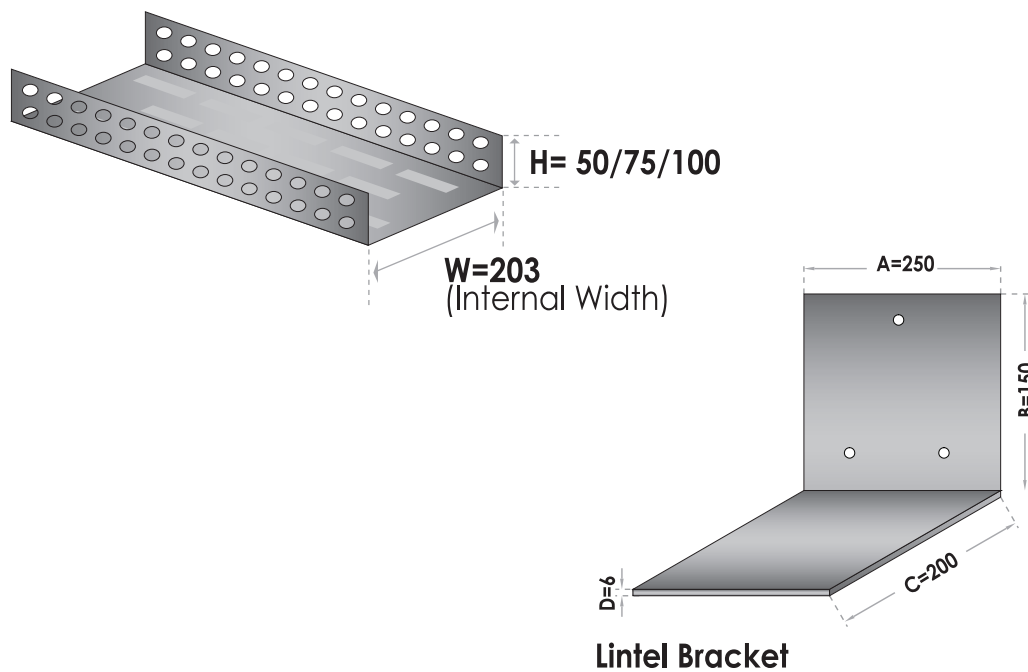
Lintel Bracket

Lintel Ref.	PROLINE 150U																			
Lengths (L)	900-1200				1300-1500				1600-1800				1900-2100				2200-2400			
Height (H)	50		75		50		75		50		75		50		75		50		75	
Material Thickness	2	3	4	4	2	3	4	4	2	3	4	4	2	3	4	4	2	3	4	4
Safe Distributed Loading (tonnes)	0.48	0.88	1.32	1.70	0.37	0.60	0.71	1.28	0.44	0.58	1.04			0.40	0.92				0.31	0.70
Total Width (W)	153				153				153				153				153			
Lintel Brackets					A=150				B=150				C=150				D=5			
No. & Diameter of Anchors	4M8 x 80																			

(All Dimensions in mm.)



PROLINE 200U



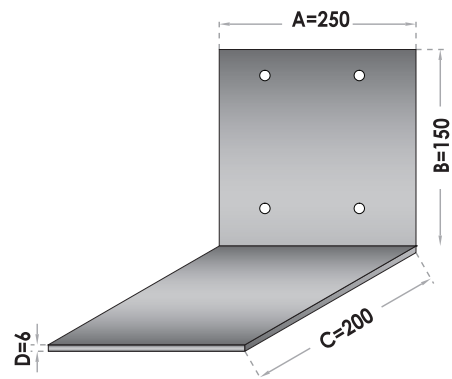
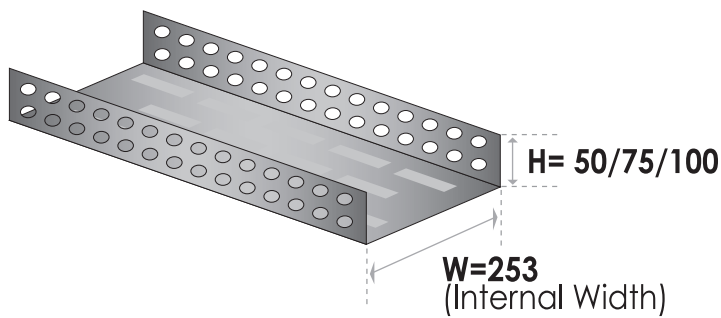
Lintel Bracket

Lintel Ref.	PROLINE 200U																			
Lengths (L)	900-1200				1300-1500				1600-1800				1900-2100				2200-2400			
Height (H)	50		75		50		75		50		75		50		75		50		75	
Material Thickness	2	3	4	4	2	3	4	4	2	3	4	4	2	3	4	4	2	3	4	4
Safe Distributed Loading (tonnes)	0.62	0.89	1.27	1.70	0.48	0.60	0.72	1.28	0.44	0.59	1.04			0.41	0.92			0.32	0.70	
Total Width (W)	203				203				203				203							
Lintel Brackets					A=200				B=150				C=200				D=6			
No. & Diameter of Anchors	3M10 x 80																			

(All Dimensions in mm.)



PROLINE 250U



Lintel Bracket

Lintel Ref. No	PROLINE 250 U																			
Lengths (L)	900-1200				1300-1500				1600-1800				1900-2100				2200-2400			
Height (H)	50		75		50		75		50		75		50		75		50		75	
Material Thickness	2	3	4	4	2	3	4	4	2	3	4	4	2	3	4	4	2	3	4	4
Safe Distributed Loading (tonnes)	0.62	0.89	1.27	1.70	0.48	0.61	0.72	1.28		0.44	0.59	1.04			0.41	0.92			0.32	0.70
Total Width (W)	253				253				253				253							
Lintel Brackets					A=250				B=150				C=200				D=6			
No. & Diameter of Anchors	4M10 x 80																			

(All Dimensions in mm.)



CARTEL MANUFACTURING CO. L.L.C.

Tel: +971 4 885 3999

Fax: +971 4 885 3998

P.O. Box: 37010, Dubai, U.A.E.

E-mail: info@cartelmn.com

Website: www.cartelmn.com

