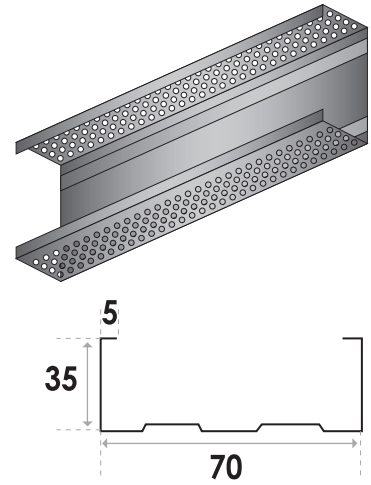


# PROLINE STEEL PROFILE



# STUD

| PROLINE Stud (mm)         | Sizes (mm) | Thickness (mm) | Weight (kg/lm) | Standard Length (mm) |
|---------------------------|------------|----------------|----------------|----------------------|
| Standard Size<br>35X70X35 | SD40       | 0.50           | 0.452          | 3000                 |
|                           | SD 50      | 0.50           | 0.491          | 3000                 |
|                           | SD 55      | 0.50           | 0.511          | 3000                 |
|                           | SD 63      | 0.50           | 0.542          | 3000                 |
|                           | SD 70      | 0.50           | 0.570          | 3000                 |
|                           | SD 73      | 0.50           | 0.582          | 3000                 |
|                           | SD 90      | 0.70           | 0.908          | 3000                 |
|                           | SD 98      | 0.90           | 1.224          | 3000                 |
|                           | SD 123     | 0.90           | 1.401          | 3000                 |
|                           | SD 148     | 1.20           | 2.103          | 3000                 |
|                           | SD 198     | 1.50           | 3.219          | 3000                 |

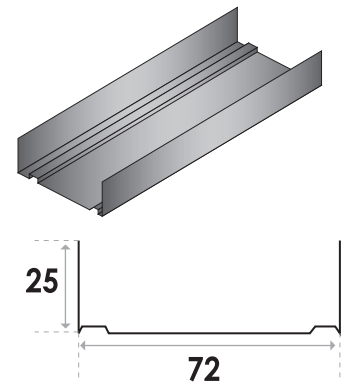


Any size of Stud range from Stud 40mm up to Stud 198mm can be produced.  
Flange height can be made up to 60mm.  
Thickness can be provided from 0.45mm to 1.50mm.  
Length of the profiles can be increased up to 12000mm.

Cartel Manufacturing Company's regular Stud comes with different sizes of punches to allow sufficient space for any electrical and plumbing wiring installation. To give more strength in our Stud we have added ribs in the flange along-with regular Knurlings.

# TRACK

| PROLINE Track (mm)        | Sizes (mm) | Thickness (mm) | Weight (kg/lm) | Standard Length (mm) |
|---------------------------|------------|----------------|----------------|----------------------|
| Standard Size<br>25X72X25 | TK 42      | 0.45           | 0.325          | 3000                 |
|                           | TK 52      | 0.45           | 0.361          | 3000                 |
|                           | TK 57      | 0.45           | 0.378          | 3000                 |
|                           | TK 65      | 0.45           | 0.407          | 3000                 |
|                           | TK 72      | 0.45           | 0.432          | 3000                 |
|                           | TK 75      | 0.45           | 0.442          | 3000                 |
|                           | TK 92      | 0.70           | 0.781          | 3000                 |
|                           | TK 100     | 0.90           | 1.061          | 3000                 |
|                           | TK 125     | 0.90           | 1.238          | 3000                 |
|                           | TK 150     | 1.20           | 1.886          | 3000                 |
|                           | TK 200     | 1.50           | 2.948          | 3000                 |



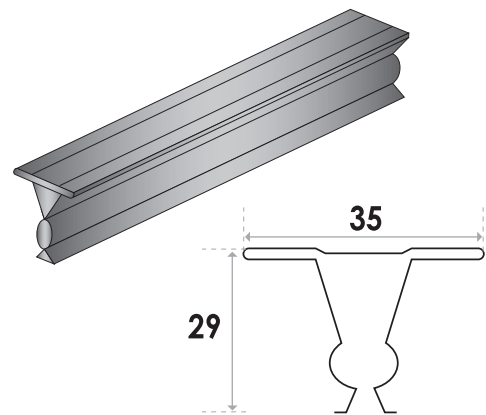
Any size of Track range from Track 42mm till Track 200mm can be produced.  
Flange height can be made up to 600mm  
Thickness can be provided from 0.45mm to 1.50mm.  
Length of the profiles can be increased up to 12000mm

Cartel Manufacturing Company's regular Track comes with the plane flange but we can produce extra ribs on the flanges to increase its strength if requested.



# SPRING TEE

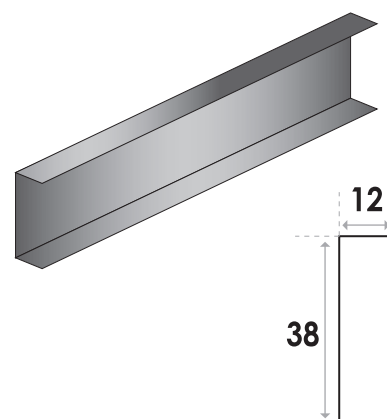
| Spring Tee (mm)     | Thickness (mm) | Weight (kg/lm) | Standard Length (mm) |
|---------------------|----------------|----------------|----------------------|
| Standard Size 35X29 | 0.50           | 0.440          | 4000                 |
|                     | 0.55           | 0.484          | 4000                 |



The Spring Tee of Cartel Manufacturing Company is especially designed in a way to provide extra strength by developing ribs in its web. Our objective is to achieve the highest standard profile in the market.

# MAIN CHANNEL

| Main Channel (mm)      | Thickness (mm) | Weight (kg/lm) | Standard Length (mm) |
|------------------------|----------------|----------------|----------------------|
| Standard Size 12X38X12 | 0.50           | 0.236          | 3000                 |
|                        | 0.55           | 0.260          | 3000                 |
|                        | 0.60           | 0.283          | 3000                 |
|                        | 0.70           | 0.330          | 3000                 |
|                        | 0.90           | 0.424          | 3000                 |
|                        | 1.20           | 0.566          | 3000                 |

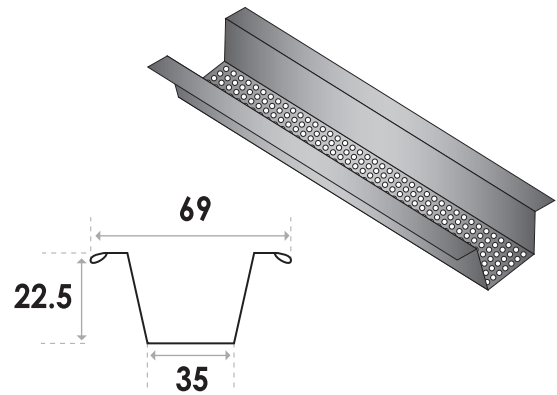


Many contractors know this profile with a different name, like C-Channel, Primary Channel and U-Channel along with Main Channel. The mostly used size of this profile in width is 38mm and 12mm in flange. We can produce any size of width, thickness, flange and any length required.



# FURRING CHANNEL

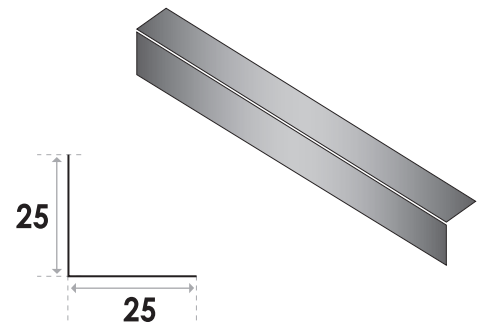
| Furring Channel (mm)        | Thickness (mm) | Weight (kg/lm) | Standard Length (mm) |
|-----------------------------|----------------|----------------|----------------------|
| Standard Size<br>35X22.5X69 | 0.45           | 0.371          | 3000                 |
|                             | 0.50           | 0.413          | 3000                 |
|                             | 0.55           | 0.454          | 3000                 |
|                             | 0.60           | 0.495          | 3000                 |
|                             | 0.70           | 0.578          | 3000                 |
|                             | 0.90           | 0.743          | 3000                 |



The use of Furring system is to give the surface a smooth look in the ceiling system and it helps to cover the installed air conditioning ducts and other visible wiring. It is also used on walls where many / any objects are to be hidden. The Furring system is the combination of Furring Channel, Wall Angle and Main Channel to form a grid for suspended ceiling to be covered with the gypsum board.

# WALL ANGLE

| Wall Angle (mm)        | Thickness (mm) | Weight (kg/lm) | Standard Length (mm) |
|------------------------|----------------|----------------|----------------------|
| Standard Size<br>25X25 | 0.45           | 0.173          | 3000                 |
|                        | 0.50           | 0.193          | 3000                 |
|                        | 0.55           | 0.212          | 3000                 |
|                        | 0.60           | 0.231          | 3000                 |
|                        | 0.70           | 0.270          | 3000                 |
|                        | 0.90           | 0.347          | 3000                 |
|                        | 1.20           | 0.462          | 3000                 |

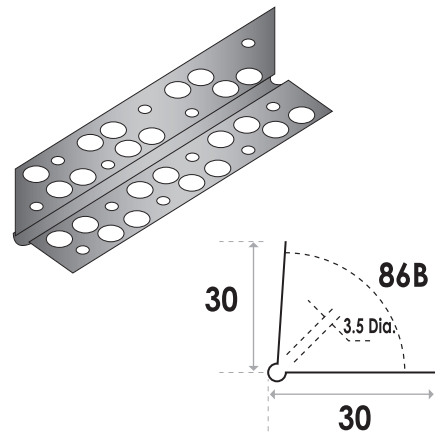


The regular size of this profile is 25x25mm, but we can produce in various sizes, lengths and thicknesses. The fixing of Wall Angle makes a firm platform for Ceiling Furring Systems. It is also being used to protect the edges and corner of installed gypsum board.



# CORNER BEAD

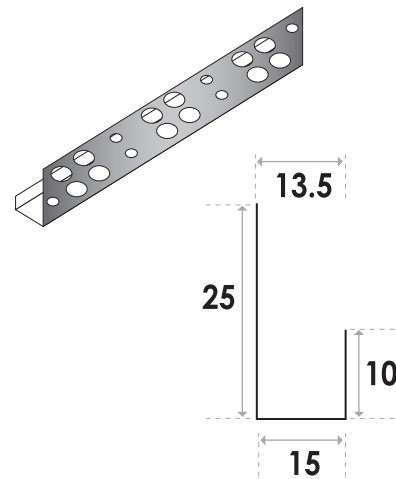
| Corner Bead (mm)       | Thickness (mm) | Weight (kg/lm) | Standard Length (mm) |
|------------------------|----------------|----------------|----------------------|
| Standard Size<br>30X30 | 0.40           | 0.189          | 3000                 |
|                        | 0.45           | 0.212          | 3000                 |
|                        | 0.50           | 0.236          | 3000                 |
|                        | 0.55           | 0.259          | 3000                 |
|                        | 0.60           | 0.283          | 3000                 |



There are multiple holes in our Corner Bead. The currently available Corner Bead is a combination of 6mm and 4mm holes. We are producing Corner Bead in all the above thicknesses. However, custom-made size can be produced with different holes as required.

# BOARD CHANNEL

| Board Channel (mm)        | Thickness (mm) | Weight (kg/lm) | Standard Length (mm) |
|---------------------------|----------------|----------------|----------------------|
| Standard Size<br>25X15X10 | 0.45           | 0.173          | 3000                 |
|                           | 0.50           | 0.193          | 3000                 |



**Cartel Manufacturing Company** manufactures Board Channel in two different categories: Perforated and Plain.

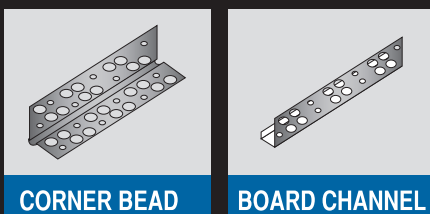
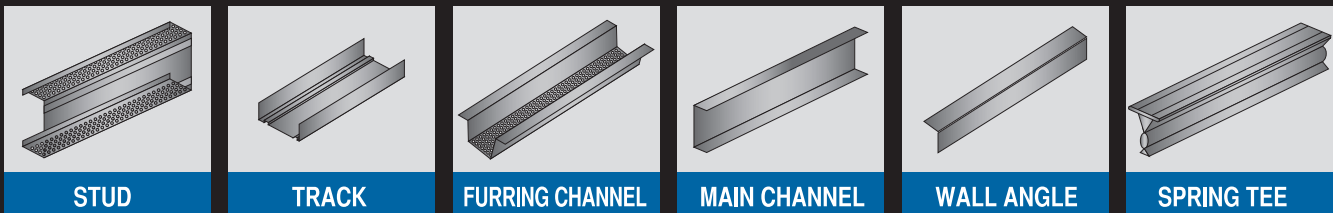
The perforation will be only on one leg with multiple holes of 6mm and 4mm together. Although we can produce fully perforated upon request.

The normal thickness of this profile is 0.45mm, but we keep stock of 0.50mm thickness too. The sizes of its legs are 25mm and 10mm. It is used to protect the edges of installed gypsum board.



**Cartel Manufacturing Company L.L.C** has established its manufacturing operations with the determination of a strong engineering team. After studies and research we have set our goal towards achieving quality products and services to attain our customers' approval and satisfaction. Our catalogue furnishes all the necessary details and technical data required by consultants. We have a dynamic, innovative & hardworking professional team, ensuring our clients' satisfaction.

- Our Main Profiles are used in Dry Wall Partitioning and Ceiling Systems and we always welcome inquiries to manufacture any new designs required by our customers.
- We have obtained the facilities of industrial license, which will help all our customers to export our profile to G.C.C. countries to waive their customs duties.
- Cartel Manufacturing Company's profiles are the second name for high standard, humidity resistant, heavy zinc coated and durable quality products which meet the standards of ASTM C 645-99, ASTM A 366/ A 336M, A 653M-95, BS EN 10142:1991, BS 2994:1976 & BS 2989:1982
- We are proud to declare that Cartel Manufacturing Company is using steel with high zinc coating of G90/Z275, which is higher than recommended by ASTM standard zinc coating. Our profiles are fire deterrant and qualify with a fire resistance rate of E119.
- We have the maximum precautions to ensure correct information in our catalogue; however contractors may recommend their own methods of calculation.



| Thickness (mm) | Guage No. | Thickness (mm) | Guage No. |
|----------------|-----------|----------------|-----------|
| 0.32           | 30        | 0.87           | 21        |
| 0.36           | 29        | 0.95           | 20        |
| 0.40           | 28        | 1.11           | 19        |
| 0.44           | 27        | 1.27           | 18        |
| 0.47           | 26        | 1.43           | 17        |
| 0.56           | 25        | 1.59           | 16        |
| 0.64           | 24        | 1.79           | 15        |
| 0.71           | 23        | 1.98           | 14        |
| 0.79           | 22        |                |           |

| Coating Grades | Zinc Coating | gms/sqr m2 | Zinc Coating |
|----------------|--------------|------------|--------------|
| G-40           | Z120         | 120        | 8.5 microns  |
| G-60           | Z180         | 180        | 12.7 microns |
| G-90           | Z275         | 275        | 19.4 microns |

**CARTEL MANUFACTURING CO. L.L.C.**

Tel: +971 4 885 3999  
 Fax: +971 4 885 3998  
 P.O. Box: 37010, Dubai, U.A.E.  
 E-mail: info@cartelmn.com  
 Website: www.cartelmn.com

