

Digital clock

Digital clock

Cristalys 7

Description:

- ▶ Indoor clock with liquid crystal display (LCD).
- ▶ Fixed or alternate hour with date or week number.
- ▶ Extra flat casing.
- ▶ Optimal viewing distance 30 metres (Height of digit 7cm), angle of vision 160°.
- ▶ 3 casing colours: aluminium, white, burgundy.
- ▶ Versions: radio synchronised (FI or DCF), DHF receiver, impulse 24V slave movement, IRIG B/AFNOR coded time receiver or NTP receiver.



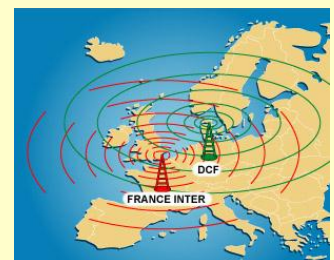
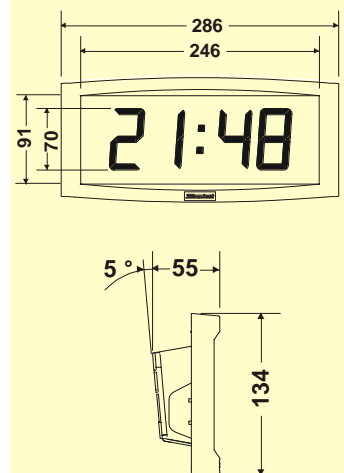
Technical features:

- ▶ ABS casing, IP40, IK02.
- ▶ Eco function providing energy savings through switching off display between 23.00 and 6.00.
- ▶ 12 or 24 hour display mode.
- ▶ Automatic summer/winter time changeover and perpetual calendar with multi-time zones.
- ▶ 7 days data saving.
- ▶ Accuracy of the time quartz base: 0.2 second/day.
- ▶ Absolute time accuracy with optional radio synchronisation.
- ▶ PoE consumption: 2.5 W maximum; Class 0 device.
- ▶ NTP Synchronization : unicast, multicast and by DHCP.
- ▶ Power supply :
 - Models AFNOR coded time receiver, wireless DHF, 24V minute impulse receiver : ELV 24VDC or 2 piles type LR14.
 - Model NTP: PoE (Power Over Ethernet).
- ▶ Silent operation.
- ▶ Programming and time setting through 2 buttons.
- ▶ Operating temperature: from 0 to 50°C.
- ▶ Humidity: 80% at 40°C.
- ▶ Weight: 0.7 Kg.

Norms:

- ▶ Norm NF EN50081-1: generic emission standard.
- ▶ Norm NF EN50082-1: generic immunity standard.
- ▶ Norm NF EN60950: safety of information technology equipment.

Dimensions in mm



France Inter and DCF transmitter

Cristalys 7 references

- | | |
|--|---------|
| ▶ Radio synchronised France Inter | 938 121 |
| ▶ Radio synchronised DCF | 938 123 |
| ▶ Slave movement on impulses or IRIG B/AFNOR receiver | 938 131 |
| ▶ Slave movement on impulses or IRIG B/AFNOR receiver (very low voltage) | 938 132 |
| ▶ DHF radio receiver | 938 141 |
| ▶ DHF radio receiver (very low voltage) | 938 143 |
| ▶ NTP Supervised PoE receiver | 938 173 |

Add to the reference: A for aluminium casing colour, B for white, D for burgundy.



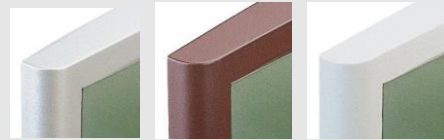
Digital clock

Digital clock

Cristalys 7



Cristalys 7 on table support



3 casing colours:
aluminium, burgundy, white

Display modes:

- Hour only :
- ▶ 12h mode => 1
 - ▶ 24h mode => 2
- or alternate with :
- ▶ Day-Month (31 :12) => 3
 - ▶ Month-Day (12 :31) => 4
 - ▶ Week number => 5

Movements and synchronisation:

DHF movement

- ▶ The clock is radio-synchronised by a DHF transmitter.
- ▶ Automatic summer/winter time changeover.

FI or DCF Radio synchronised movement

- ▶ The clock is independent, the time information comes from its own time basis which is rectified, in case of drift, by comparing it to the FI or DCF transmitter signal.
- ▶ The radio synchronisation permit to display the time with perfect accuracy.
- ▶ Automatic summer/winter time changeover.

IRIG B/AFNOR coded time receiver

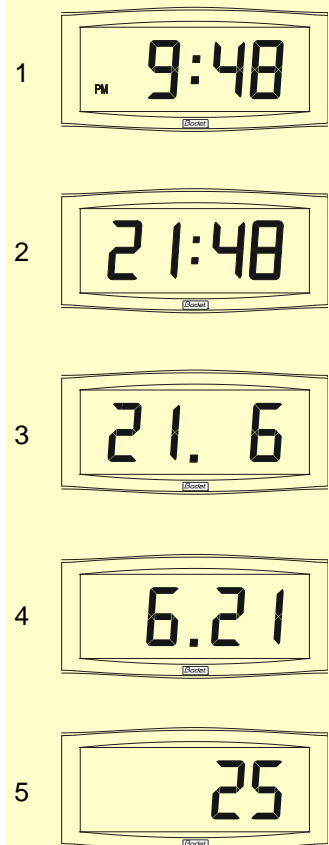
- ▶ The coded time distribution consist in transmitting a complete time message each second : the setting on time of the receivers is realised automatically and speedily as soon as they are connected on the clock line.
- ▶ The IRIG B/AFNOR coded time does not transmit interference and is insensitive to other electrical interference.

24V minute impulses receiver movement

- ▶ The receiver clocks are connected to a distribution line and activated by means of electrical impulses transmitted every minute by the master clock.

NTP PoE receiver

- ▶ The slave clocks are connected to the network Ethernet through IP addressing. The time synchronization is distributed from primary servers towards the network or master clock with unicast, multicast or by DHCP models.
- ▶ The NTP server must have a transmission (Poll) period of less than 128 seconds



Accessories:

- ▶ Wall support (supplied) 202 266
- ▶ Table support 938 902
- ▶ Double sided bracket for wall or ceiling mounting 938 901
- ▶ Double sided bracket for wall or ceiling mounting (long length) 938 905
- ▶ Single or double sided bracket specific length for wall or ceiling mounting (Please specify on the order the fixing mode (wall or ceiling) and the length between the top of the clock and the fixing point). 938 908
- ▶ Support for very low voltage power supply 938 903
- ▶ Embedded TBT (very low voltage) power supply (Capacity: 20 clocks) 938 914
- ▶ Wall plug-in TBT power supply (capacity: 20 clocks) 938 916

