

# Hour-minute-second hand clock

## Analogue clocks

## Profil 940

### Description

- ▶ Clock with analogue display.
- ▶ Hour - minute or hour - minute and second display.
- ▶ ABS casing IK02, indoor IP40, outdoor IP53  
(on option, reinforced sealing "abattoir" IP55 : see the dedicated data sheet).
- ▶ Optimal viewing distance: 35 meters.
- ▶ Polymethacrylate (PMMA) protective crystal.
- ▶ Casing colours: black, aluminium or chromium (indoor) and white (indoor and outdoor).
- ▶ Dial models: Arabic figures, minute notches or DIN.
- ▶ Wall bracket with locking system: optional for indoor models, including for outdoor models.



### Wired models

#### Technical features

Movement	Power supply	Operating temperature	Weight
Quartz 1.5V	1.5V LR6 battery	- 5°C to +50°C	1.9 kg
1.5V serial impulse	230 Volt*	- 10°C to +50°C	1.9 kg
24V minute impulse		-10°C to +50°C	2.1 kg
24V second impulse		-10°C to +50°C	1.9 kg
1/2 minute serial		-10°C to +50°C	2.1 kg
AFNOR	6 to 24VDC	-5°C to +50°C	2.1 kg
NTP NTP (silent)	Ethernet, Class 0 device, 2W maximum	-5°C to +50°C	2.1 kg

\*230V AC power supply only via a time setting control box (ref : 933006).

#### Norms

- ▶ Norm NF EN50082-1 and 50082-2: generic immunity standard.
- ▶ Norm NF EN60950: Safety of information technology equipment.
- ▶ Norm NF EN301-489-3: EMC standard for radio equipment.
- ▶ Norm AFNOR NF S 87-500 C.

#### Dials models (x)

1 :  
Arabic figures



2 :  
Minute notch



3 :  
DIN



#### Casing colours (y)

1 :  
White



2 :  
Black



5 :  
Aluminium



3 :  
Chromium  
(option)



References	Hour-Minute indoor	Hour-Minute outdoor	Hour-Minute-Second indoor	Hour-Minute-Second outdoor
Quartz 1.5V			983 1xy	984 1xy
1.5V serial impulse		984 2xy		
24V minute impulse	983 5xy	984 5xy		
24V second impulse			983 4xy	
1/2 minute serial impulse	983 6xy	984 6xy		
AFNOR	985 8xy	984 8xy	985 9xy	
NTP	985 Fxy		985 Gxy	
NTP (silent)			985 Hxy	

x and y : refer to the illustrations.



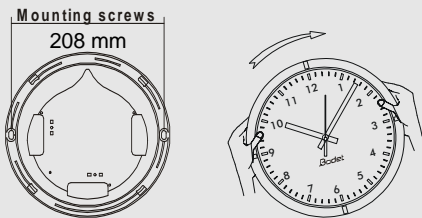
# Hour-minute-second hand clock

## Analogue clocks

Profil 940

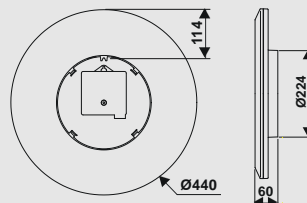
### Installation and dimensions

#### Single sided wall support

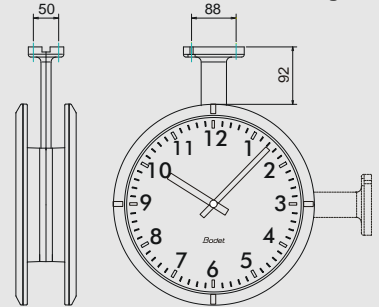


When the support is fixed on the wall, turn the clock a quarter turn in the clockwise so that the clock is in the correct position.

#### Hanging point



#### Double sided bracket mounting



### Wired models



#### Movements and synchronisation

##### Quartz 1.5V

► The clock is totally independent, the time information comes from its own time base. The operating temperature range of these clocks is -5°C to +50°C when using Lithium batteries.

##### 1.5V serial impulse (for BT Chrono)

► The slave clocks are connected to a radio synchronization box (BT Chrono) that generates electrical impulses every minute. The operating temperature range of these clocks and of the box is -10°C to +50°C.

##### 24V minute impulse

► Slave clocks are connected to a distribution line and activated through electrical impulses sent every minute by the master clock.

##### 24V second impulse

► Slave clocks are connected to a distribution line and activated through electrical impulses sent every second by the master clock.

##### 1/2 minute serial impulse

► Slave clocks are connected to a distribution line and activated through electrical impulses sent every ½ minute by the master clock.

##### AFNOR

► The coded time distribution consists in transmitting a complete time message each second: the setting on time of the receivers is realised automatically and immediately after connection to the clock line.

► The AFNOR coded time does not transmit interference and is insensitive to other electrical interference.

##### Network Time Protocol (NTP)

► The slave clocks are connected to the network Ethernet through IP addressing.

The time synchronization is distributed from primary servers towards the network or master clock with unicast, multicast or by DHCP models.

##### Network Time Protocol (NTP) silent

► The slave clocks are connected to the network Ethernet through IP addressing.

The time synchronization is distributed from primary servers towards the network or master clock with unicast, multicast or by DHCP models.

► The second hand movement is continuous. The advantage of this clock is its very low noise level (<20dB at 1 meter).

### Mounting Accessories

- |   |         |
|---|---------|
| ► Double sided bracket                              | 981 001 |
| ► Short double sided bracket                        | 981 002 |
| ► Secure wall fixing bracket for single sided clock | 981 006 |
| ► Secure wall fixing bracket for Profil DHF/230V    | 981 008 |
| ► Double sided bracket for Profil DHF/230V          | 981 009 |
| ► 230V recess mounting power supply for TBT clock   | 938 914 |
| ► 230V plug-in power supply for TBT clock           | 938 916 |



**Bodet**

# Hour-minute-second hand clock

## Analogue clocks

## Profil 940

### Description

- ▶ Clock with analogue display.
- ▶ Hour - minute or hour - minute and second display.
- ▶ DHF or radio synchronized clocks include hand position control and automatic time set up.
- ▶ ABS casing IK02, indoor IP40, outdoor IP53 (on option, reinforced sealing "abattoir" IP55).
- ▶ Optimal viewing distance: 35m.
- ▶ Polymethacrylate (PMMA) protective crystal.
- ▶ Casing colours: black, aluminium or chromium (indoor) and white (indoor and outdoor).
- ▶ Dial models: Arabic figures, minute notches or DIN.
- ▶ Wall bracket with locking system: optional for indoor models, including for outdoor models.



### Wireless models



### Technical features

Movement	Power supply	Operating temperature	Weight
DCF Radio	1.5V LR6 battery	- 5°C to +50°C	1.9 kg
France Inter Radio	2x1.5V LR6 batteries	- 5°C to +50°C	2.1 kg
DHF battery	2x1.5V LR6 batteries	- 5°C to +50°C	2.1 kg
DHF TBT	6 to 24VDC	- 5°C to +50°C	2.1 kg
DHF 230V	230 Volt	- 5°C to +50°C	2.7 kg

\*230V AC power supply only via a time setting control box (ref: 933006).

### Norms

- ▶ Norm NF EN50081-1: generic emission standard.
- ▶ Norm NF EN50082-1 and 50082-2: generic immunity standard.
- ▶ Norm NF EN55022 class B: radio disturbance of information technology equipment.
- ▶ Norm NF EN60950: Safety of information technology equipment.
- ▶ Norm NF EN300-220-3: radio equipment standard.
- ▶ Norm NF EN301-489-3: EMC standard for radio equipment
- ▶ Norm AFNOR NF S 87-500 C

### Dials models (x)

1 : Arabic figures



2 : Minute notch



3 : DIN



### Casing colours (y)

1 : White



2 : Black



5 : Aluminium



3 : Chromium (option)



References	Hour-Minute indoor	Hour-Minute outdoor	Hour-Minute-Second indoor	Hour-Minute-Second outdoor
DCF radio			983 3xy	984 3xy
France Inter radio			985 1xy	
DHF battery	985 2xy	984 Bxy	985 3xy	
DHF TBT	985 4xy		985 5xy	
DHF 230V		984 Cxy		

x and y : refer to the illustrations.



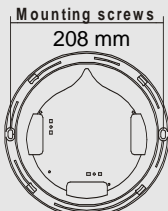
# Hour-minute-second hand clock

## Analogue clocks

Profil 940

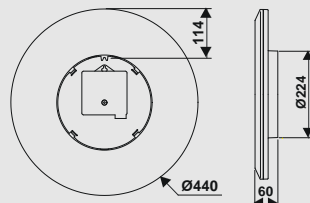
### Installation and dimensions

#### Single sided wall support

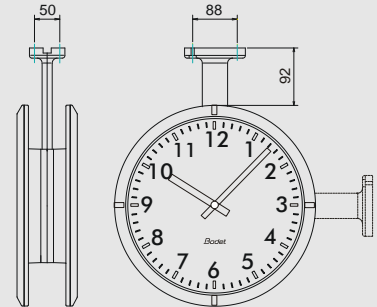


When the support is fixed on the wall, turn the clock a quarter turn in the clockwise so that the clock is in the correct position.

#### Hanging point



#### Double sided bracket mounting



### Wireless models



### Movements and synchronisation

#### DCF or France Inter radio

- ▶ The clock is totally independent. The France Inter or DCF radio synchronized movement brings absolute accuracy and automatic summer/winter changeovers.

#### DHF battery or DHF TBT or DHF 230V (norm AFNOR NF S 87-500)

- ▶ The DHF clocks pick up the radio signal and get automatically synchronised. If radio reception is poor, they keep on working on their own time base.  
Consumption: from 15mA at 6V to 8mA at 16V.

### Mounting Accessories

- |   |         |
|---|---------|
| ▶ Double sided bracket                              | 981 001 |
| ▶ Short double sided bracket                        | 981 002 |
| ▶ Secure wall fixing bracket for single sided clock | 981 006 |
| ▶ Secure wall fixing bracket for Profil DHF/230V    | 981 008 |
| ▶ Double sided bracket for Profil DHF/230V          | 981 009 |
| ▶ 230V recess mounting power supply for TBT clock   | 938 914 |
| ▶ 230V plug-in power supply for TBT clock           | 938 916 |

