

NT20 LED Downlight

LED evolution

Features

BSI Part L compliant to >60 lm/circuit watt

The NT20 has been independently tested in accordance with the 2013 requirements for UK Building Regulation Part L1 (Domestic) and Part L2 (Industrial) both A & B.

70,000 Hours Life

The NT20 has been independently tested in accordance with LM-80 and has a predicted TM-21 L70 lifetime estimate of 70,000 hours.

UL Approval Pending

Both the NT20 Series and PSU20 Driver have been submitted to UL for approval and certification is pending.

Highly Efficient Driver

The NT20 Driver (PSU20) has an independently tested power factor correction of >0.95 and efficiency of >90%.

5 Year Warranty

The NT20 is available with a 5 Year Warranty.

High Performance Design



Technical Data

Power:	23.4W
Lumen Output (lm):	3000K:- 40° - 1302 60° - 1285 4250K:- 40° - 1535 60° - 1508
Lumen Circuit Watt (lm/w):	3000K:- 40° - 55.5 60° - 54.7 4250K:- 40° - 69.2 60° - 65.3
CRI:	80CRI and 90CRI versions available
Life (L70):	70,000 hours (see LM-80 test data)
Beam Angle Options:	40° and 60° versions
Warranty:	5 Years (subject to product registration - see terms & conditions)
Fire Rating:	1.5 Hours fire rated version available soon (swivel version n/a)
Environmental Rating:	IP65
Bezel Options:	Chrome, White, Black, Gold, Pewter (other colours on request)
Power Supply Options:	On/Off + Dimming (see Driver Options overleaf)



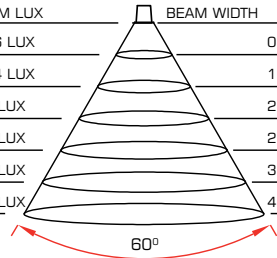
The Natural Selection In LED Lighting

NT20 LED Downlight

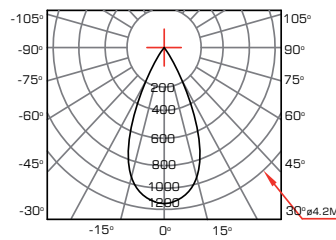
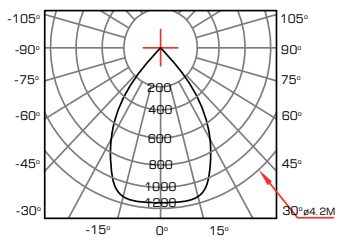
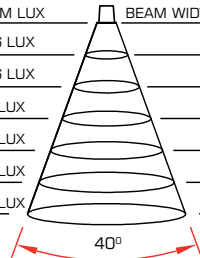


Photometric Data

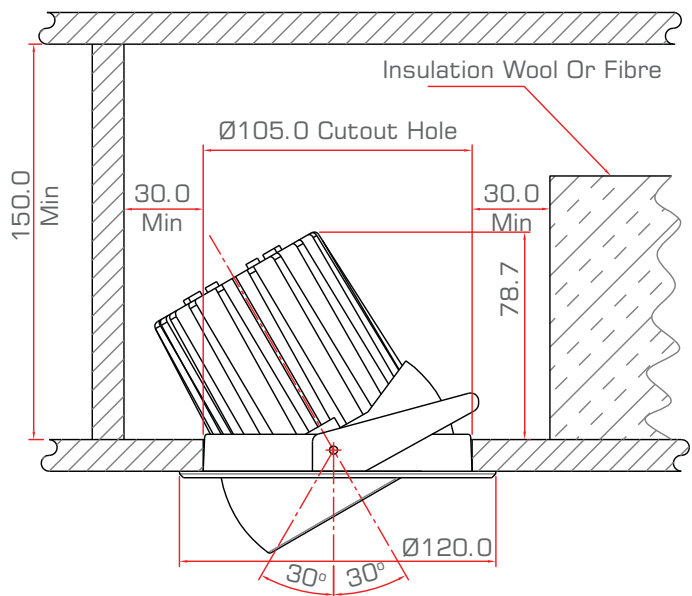
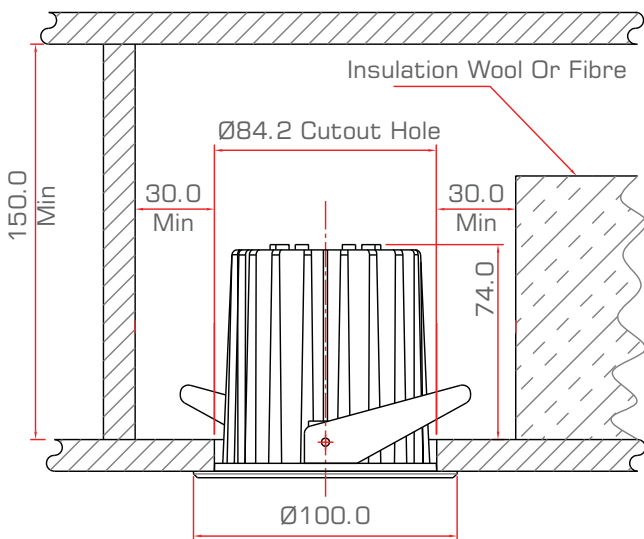
CENTER BEAM LUX	BEAM WIDTH	MIN / MAX
0.5M 4657.6 LUX		0.7M / 0.7M
1.0M 1164.4 LUX		1.4M / 1.5M
1.5M 517.5 LUX		2.1M / 2.2M
2.0M 291.1 LUX		2.8M / 2.9M
2.5M 186.3 LUX		3.5M / 3.7M
3.0M 129.4 LUX		4.2M / 4.4M



CENTER BEAM LUX	BEAM WIDTH	MIN / MAX
0.5M 4657.6 LUX		0.7M / 0.7M
1.0M 1416.6 LUX		1.4M / 1.5M
1.5M 834.4 LUX		2.1M / 2.2M
2.0M 447.9 LUX		1.8M / 2.9M
2.5M 257.4 LUX		3.5M / 3.7M
3.0M 167.3 LUX		4.2M / 4.4M



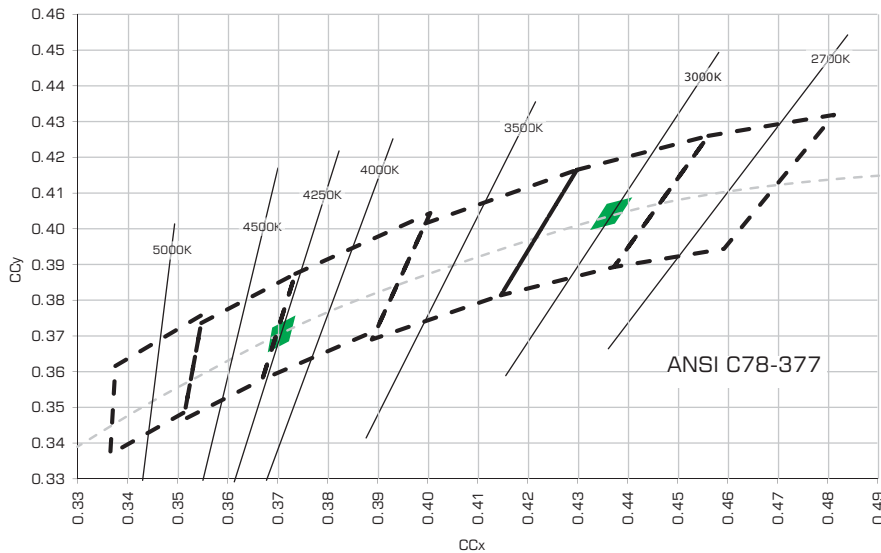
Dimensions



NT20 LED Downlight

LED evolution

LED Specification

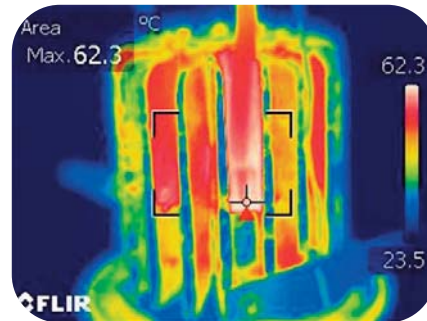
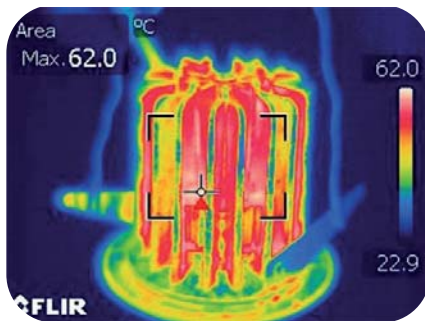


On all products LED Evolution follows the ANSI recommendation that lamp manufacturers select LEDs from within a 4 step ellipse of any correlated colour temperature (CCT) target point.

For the NT20, LEDs are selected from within a 2 step ellipse (i.e. 4 sub-bins) of the target CCT point on the chart (left) in standard manufacturing.

All LEDs used in manufacturing are logged against the product serial numbers for traceability.

Thermal Efficiency and Lifetime



The primary influencing factor prevailing negatively upon LED life and efficiency is high temperature. The NT20 has been designed to operate with a junction temperature of approximately 65°C and the excellent thermal efficiency of its heat-sink design extracts and dissipates this heat in a highly efficient manner.

The NT20 has been independently tested in accordance with LM-80 indicating a measured T_{sp} of 66°C and a reported L70 of 36,300 hours (limited by the 6x rule as defined in TM-21). The projected L70 at 24°C ambient is 121,000 hours. As a consequence, LED Evolution specify an L70 life of 70,000 hours under normal conditions.

The Natural Selection In LED Lighting

NT20 LED Downlight



Options & Ordering

NT20 - **300** - **W** - **40** - **F** - **8**

3000K Warm White	300
4250K Natural White	425

White Bezel	W
Chrome Bezel	C
Black Bezel	B
Gold Bezel	G
Nickel Bezel	N
Brass Bezel	X

8	80+CRI
9	90+CRI

F	Fixed Head
S	Swivel Head

40	40° Beam Angle
60	60° Beam Angle

Driver Options & Ordering

A range of 90V-305V driver options are available with instant start-up and illumination.

- Power Factor Correction >0.95, efficiency >90%
- On/Off
- Dimmable (Triac Phase)
- Dimmable (1 -10 Volt Analogue)
- Dimmable (DALI)
- IP20

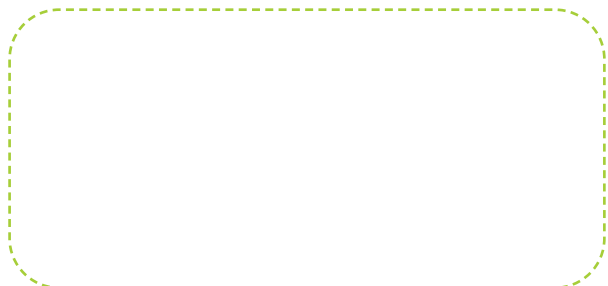
PSU20 - **550** - **OFF**

550mA Current (Iav) **550**

On/Off Version	OFF
Phase Dimming Version	PHASE
1-10V Dimming Version	TEN
DALI Dimming Version	DALI



Your Local Supplier



LED Evolution Ltd
 1000 North Circular Road, London, NW2 7JP, UK
 Tel: +44 (0)20 8208 4080 Fax: +44 (0)20 8208 8080
 Web: www.led-evolution.com Email: info@led-evolution.com

