



Model AM300X and AM302X

AudioMaster® Public Address Explosion-Proof Speakers

Public address for industrial environments

The Federal Signal Models AM300X and AM302X are transformer coupled, re-entrant speakers for use in public address or paging applications. These speakers feature rugged cones and projectors constructed of spun aluminum. The speaker wiring connections are enclosed in a dust- and moisture-proof, die-cast aluminum compartment. All external surfaces are sealed with a red or gray powder coat paint.

Power handling for the AM300X is 15 watt and the AM302X is rated for 30 watt. The unique shape of the speaker projectors provides a 60° sound dispersion. The entire speaker and can be swiveled 180° in order to direct sound effectively.

The AM300X and the AM302X can be used with supervised alarm notification systems or the AudioMaster® amplifiers and the AudioRouter™ to complete an industrial grade public address system.

FEATURES

- 15 watt (AM300X) or 30 watt (AM302X)
- 25 or 70 Vrms
- Transformer coupled
- Re-entrant horn design
- Heavy-duty U-bracket swivel mount
- IP65, NEMA 4X Approved
- UL Listed for Class 1, Division 1, Groups B, C, and D
- UL Fire Listed and CSFM Approved
- UL and cUL Listed

MODEL	POWER HANDLING	FREQUENCY RESPONSE	TRANS-FORMER	POWER TAPS	SPL PER 10' @ 1M	UL1480 @ 1M	SPL ON AXIS @ 10' @ 1M
AM300X-*	15 watt	400-4000Hz	25/70 Vrms	15, 7, 2, 1	99dBa	109dBa	106dBa 116dBa
AM302X-*	30 watt	400-4000Hz	25/70 Vrms	30, 15, 8	103dBa	114dBA	112dBa 124dBa

* Indicates housing color: (-R) for Red housing, leave blank for Gray

AM300X

HAZARDOUS LOCATION RATING:

T-CODE AT MAXIMUM AMBIENT TEMPERATURE, °C

Hazardous Location	40°C	66°C
Class I, Div 1, Groups B, C, D	T6	T6
Class I, Div 2, Groups A	T4A	T3C
Class II, Div 2, Groups F, G	T6	T6
Class III	T6	T6

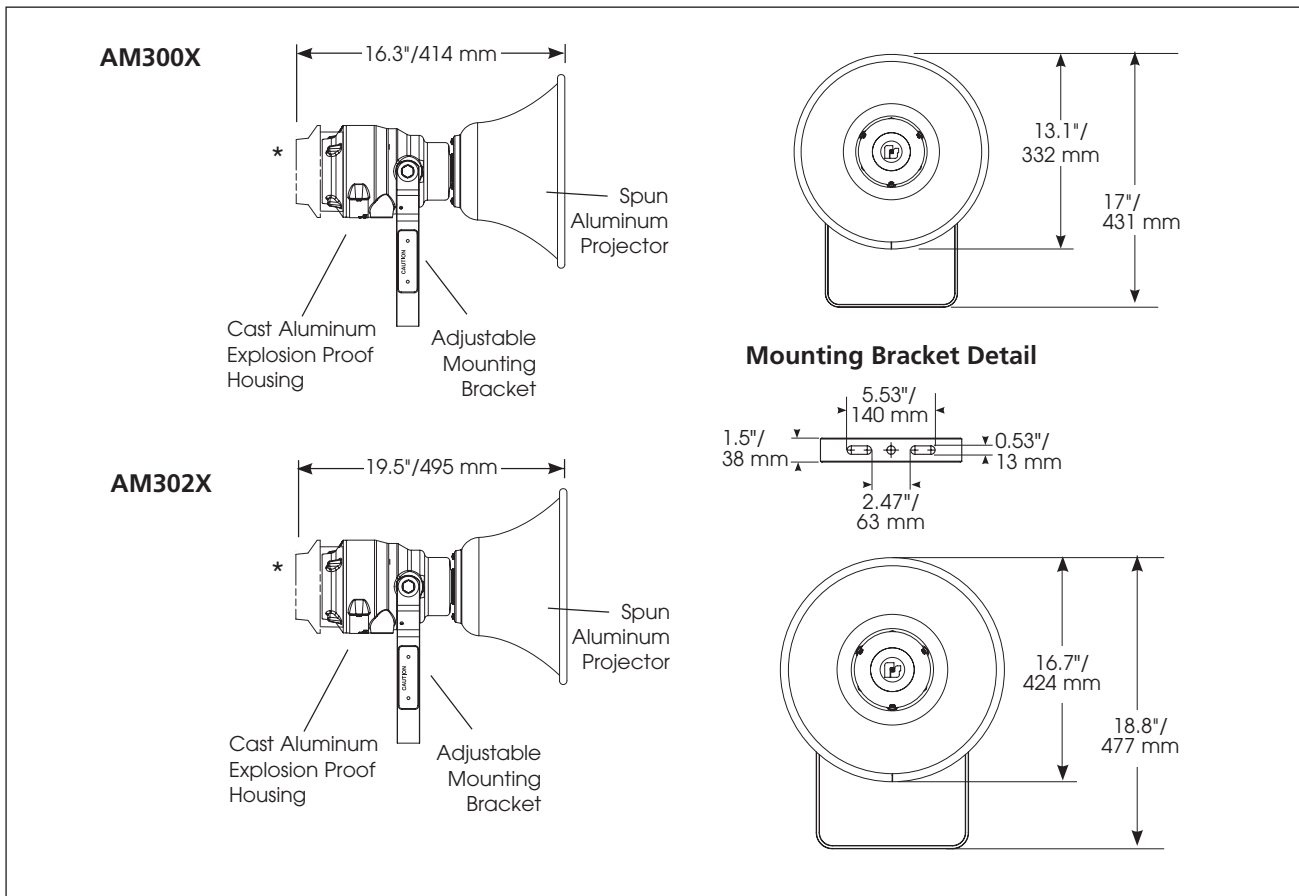
AM302X

HAZARDOUS LOCATION RATING:

T-CODE AT MAXIMUM AMBIENT TEMPERATURE, °C

Hazardous Location	40°C	66°C
Class I, Div 1, Groups B, C, D	T6	T6
Class I, Div 2, Groups A	T4A	T4A
Class II, Div 2, Groups F, G	T6	T6
Class III	T6	T6

Explosion-Proof Amplified Speakers (AM300X and AM302X)



SPECIFICATIONS

AM300X

Net Weight:	15.7 lbs.	7.1 kg
Shipping Weight:	23.1 lbs.	10.5 kg
Height:	17.0"	431.80 mm
Width:	13.1"	332.74 mm
Depth:	16.3"	414.02 mm

AM302X

Net Weight:	17.1 lbs.	7.8 kg
Shipping Weight:	33.1 lbs.	15.0 kg
Height:	18.8"	477.52 mm
Width:	16.7"	424.30 mm
Depth:	19.5"	495.30 mm

HOW TO ORDER

AM300X

R

TYPE
AM300X (15 watt)
AM302X (30 watt)

HOUSING COLOR
R Red
BLANK Gray



Rev 083116