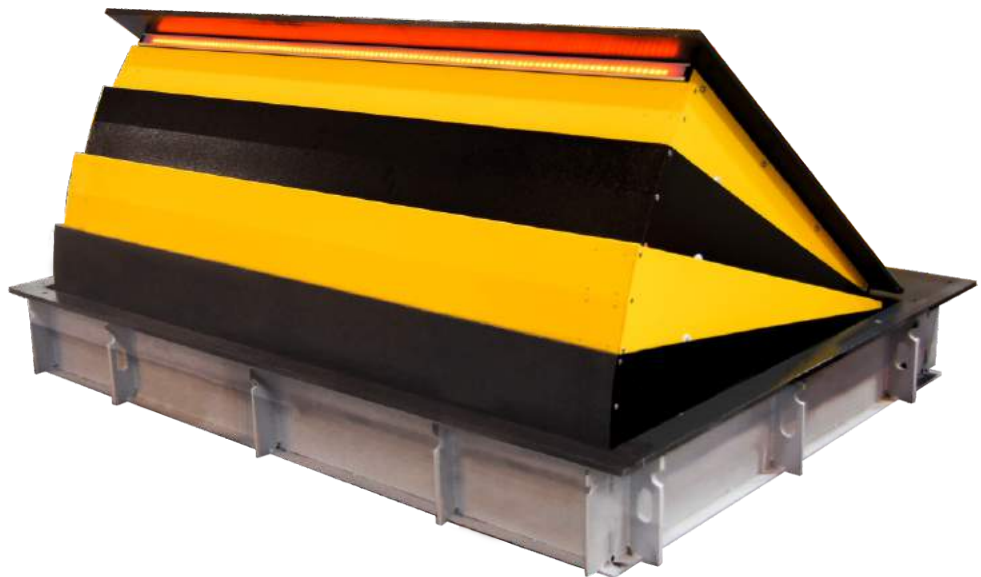


HIGH SECURITY ROAD BLOCKER M30 (K4) ANTI-RAM CLASS

ASTM F2656-07, M30, P1 (-2,1m)

Crash-tested
according to



RELIABLE, PRACTICAL AND COST-EFFECTIVE SOLUTION TO
PROVIDE 100% SECURITY OF YOUR TERRITORY

High security road blocker intends to prevent unauthorized access of vehicles to a secured perimeter and provide highest anti-terror protection. TiSO AU1A road blocker has successfully passed crash test and certified according to ASTM F2656-07, M30, P1 (-2,1m) standard, equivalent to K4. Being developed by engineers with extensive background in appropriate field, TiSO road blocker is featured by installation and civil works simplicity, reliability, durability, and functionality. All these features together, make this TiSO road-blocker an ultimate solution for a vehicle access control establishment.

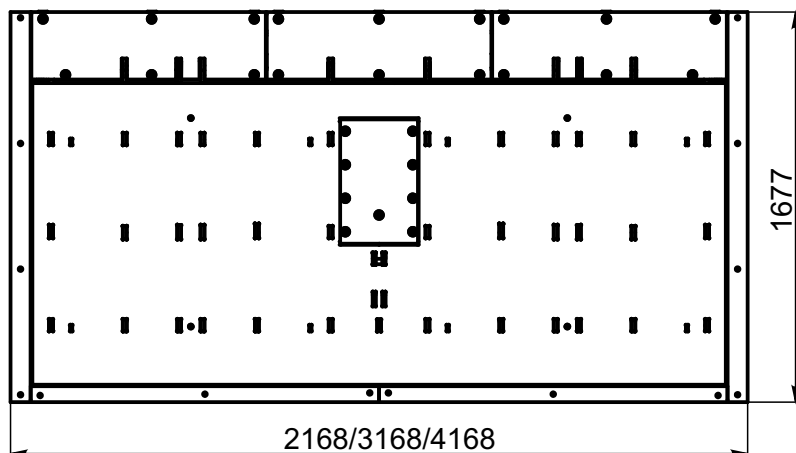
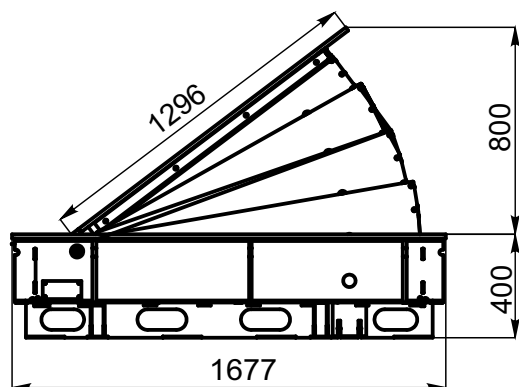
Installation areas

- Governmental Institutions
- Military Bases
- Nuclear Power Plants
- Production sites (Industrial Plants)
- Commercial areas
- Financial institutions
- Airport Premises
- Business (Office) Center
- Hotels
- Sport Complexes
- Recreation areas
- Urban areas
- Education Institutions
- etc.



www.tiso.global
+380 (44) 291-21-11
e-mail: sales@tiso.global





TECHNICAL SPECS:

Model	RB312-01	RB313-01	RB314-01
Installation type	Shallow mounted		
Drive	Hydraulic (HPU)		
Width, mm	2000	3000	4000
Height, mm	800		
Impact resistance, J	656 000		
Axle load, t	15		
Rising time, s	3,5 (1,5 with EFO)		
Lowering time, s	3,5		
Operating temperatures*, °C	-40 /+60		
Power supply	3 phase 400 V, 50/60 Hz		
Protection level	IP 67 (for road blocker) IP 54 (for control box)		
Material	Structural steel C22 (powder coated)		

*for temperatures lower than -10 °C use the heating device
for temperatures higher than +40 °C use the cooler device



www.tiso.global
+380 (44) 291-21-11
e-mail: sales@tiso.global





Contracting Client:
Tiso Blockers, LLC
72, Yarnska str.
03150 Kyiv
Ukraine

Certificate

of passed Barrier Testing Programme

ASTM F 2656-07, M30, 22th October 2015, CTS Test-No: 18250

Type of product:	Road Blocker „AUIA – 313”
Vehicle penetration:	-2.1 m (dynamic)
Mass [Target]:	6800 kg (±140 kg)
Mass [Test]:	6850 kg
Impact speed [Target]:	50.0 km/h (45.0 km/h – 60.0 km/h)
Impact speed [Test]:	49.6 km/h
Angle:	90 °
Major debris:	n/a (≥ 25 kg)

Observations

Vehicle restrained:	yes
Vehicle immobilized:	yes
Road Blocker still functions after impact:	yes

Penetration Rating:	P1 (-2.1m)
---------------------	------------



generally
crashtest-service.com[®]
Amelunxenstraße 30, 48167 Münster, Germany
Tel: +49 (0) 25 56 / 70 99 011
Fax: +49 (0) 25 56 / 70 99 090
Web: www.crashtest-service.com
E-Mail: info@crashtest-service.com

Amelunxenstraße 30, 48167 Münster, Germany

www.crashtest-service.com

Advantages

- Shallow mounting installation type
- Reliability and durability
- Low operating & maintenance cost
- Service simplicity
- High intensity operation mode

Additional options

- Hydraulic hose extension
- Wireless control units
- Traffic light
- Heating device (for climates with bellow 0°C)
- Induction loop one channel detector
- Sound alarm
- EFO (Emergency Fast Rising Operator)
- Manual Pump unit;
- Others upon request



www.tiso.global
+380 (44) 291-21-11
e-mail: sales@tiso.global

