



► Model ECHO E1-EX Series

Explosion-Proof Digital Intercom Stations for ATEX/IEC Applications

The E1-EX Series ECHO Intercom Stations provide safe and efficient two-way voice communications in ECHO Digital Intercom Systems. This ECHO Station is designed and approved for use in Zone 1 and 2 Hazardous Areas including ATEX/IEC EX Zone 1, Gas Group IIB locations.

The E1-EX Series provides instantaneous high-speed connections and clear, crisp digital voice quality. Each station offers single-button all call, priority emergency paging, group paging, speed dial, conference call, and relay output.

Any station can call any other station(s) in an ECHO Digital Intercom System. With the headset or gooseneck microphone options, each is capable of hands-free voice communication. Because the ECHO Digital Central Exchange provides 30 channels of simultaneous communication, calls are processed and connected immediately without dial tone or delay.

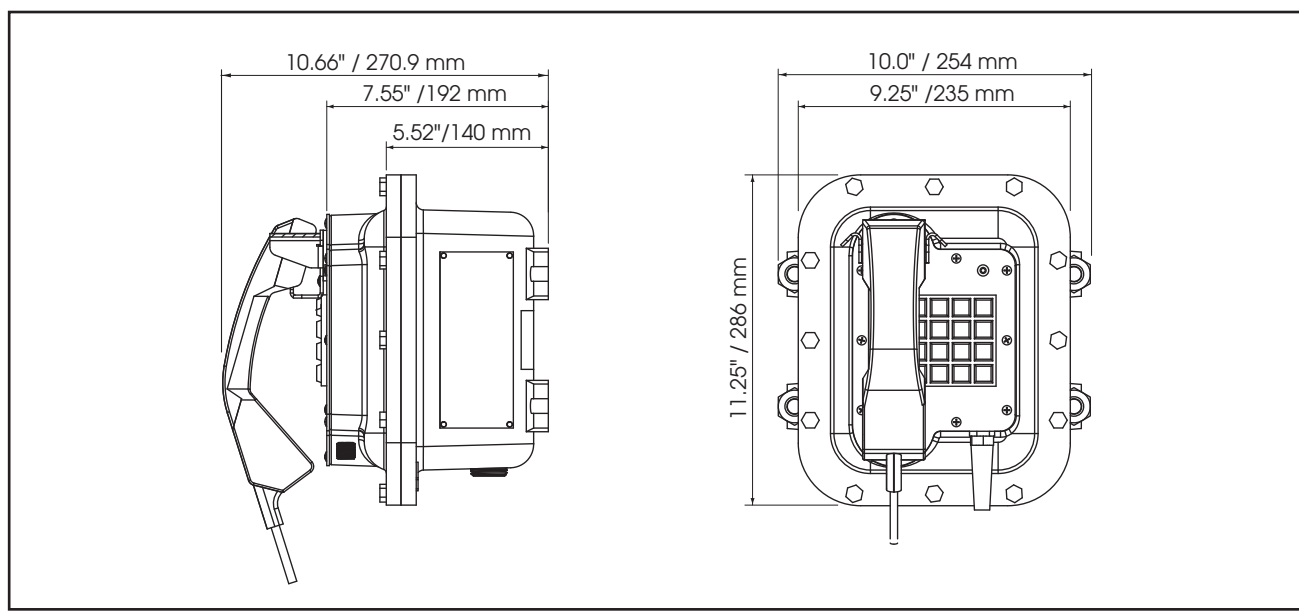
The keypad is designed to provide tactile and audible feedback (via external powered speaker) for positive activation. Each station may be programmed for four levels of privacy for receiving calls; non-private, semi-private, full privacy and do-not-disturb. Volume for voice and signal levels are easily adjusted on the keypad.

This station is constructed with a heavy duty, corrosion-resistant cast aluminum and a powder coated aluminum faceplate, equipped with weatherproof keypads, and is rated for use in Type 4X and IP66 dust- and water-tight applications.

FEATURES

- Stainless steel hardware
- Super-bright LED indicator
- Tactile keypad
- Speed dial / auto conference
- Headset, gooseneck microphone and handset interface options
- Output to powered loudspeaker
- Hinged front cover
- Rated Type 4X and IP66
- CE Compliant
- For use in ATEX/IECEx Zone 1 and 2, IIB locations

Explosion-Proof Digital Intercom Stations (E1-EX Series)



SPECIFICATIONS

Operating Voltage:	24VDC nominal (line driven from ECHO control)
Current Idle:	25 mA
Current Connected:	100 mA max.
Handset Microphone Type:	Dynamic
Handset Material:	Moulded Polycarbonate/ABS Blend
Handset Cord:	Polyurethane
Stubby Microphone Type:	Dynamic
Stubby Mic Sensitivity:	-54dBA
Stubby Mic Enclosure:	Stainless Steel
Audio Output:	2.7 Vrms / 1k Ohm load
Volume Control via Keypad:	30dBA in ten steps
ATEX Certificate:	DEMKO 13 ATEX 1213079X
IECEX Certificate:	IECEX UL 13.0028X
Protection:	Ex d ib IIB T4 Gb Ex d [ib] IIB T4 Gb -40°C ≤ Ta ≤ +65°C
Ingress Protection	IP66 (IP65 on handset)
Line Attenuation:	24dBA@160kb/s Max
Loop Resistance:	170 Ohm Max
Distance:	1.2 miles 2.0 kms Max
Cable:	One twisted pair, non-shielded
Cable Entries:	3 x M20
Operating Temperature Range:	-40°C to +65°C
Termination:	Din rail mount tensioned clamp terminals
Relay Switching Capacity:	3A at 240VAC
Net Weight:	25 lbs 11.4 kg
Shipping Weight:	30 lbs 13.6 kg
Shipping Dimensions:	20.63" x 14.13" x 13.63" 524mm x 359mm x 346mm

HOW TO ORDER

- Specify Model:**
- E1-HND-EX** – Station with Handset
 - E1-JS-EX** – Station with Jack Station/Headset connection (Headset not included)
 - E1-SM-EX** – Station with Stubby Microphone (65mm)
 - E1-GM1-EX** – Gooseneck microphone, 260mm
 - E1-GM2-EX** – Gooseneck microphone, 440mm
 - E1-GM3-EX** – Gooseneck microphone, 590mm
- Available for mount in a 4X enclosure

OPTIONAL ACCESSORIES

Description	Part Number
ATEX/IECEX/UL, standard headset	E-HDS-EX-2
EX Hardhat compatible headset	E-HDS-EX-H-2
10m Headset extension cord	K1751234A
Handset with 2.5m to 15m curly cord (detachable)	K8601272A



E1-SM



E1-JS-EX
(Headset not included)