



► Model ECHO E1 Series

Explosion-Proof Digital Intercom Stations for UL and cUL Applications

Federal Signal Model E1 Series ECHO Intercom Stations, UL, cUL and CE listed, provide safe and efficient two-way voice communications in ECHO Digital Intercom Systems. The E1 Series ECHO Station is designed and approved for use in Hazardous Areas including Class I, Division 1, Groups C and D; Class II, Division 1, Groups E, F and G; and Class III.

E1 Series ECHO stations provide instantaneous high-speed connections and clear, crisp digital voice quality. Each station offers single-button all call, priority emergency paging, group paging, speed dial, conference call, and relay output.

Any station can call any other station(s) in an ECHO Digital Intercom System. With the headset or gooseneck microphone options, each is capable of hands-free voice communication. Because the ECHO Digital Central Exchange provides 30 channels of simultaneous communication, calls are processed and connected immediately without dial tone or delay.

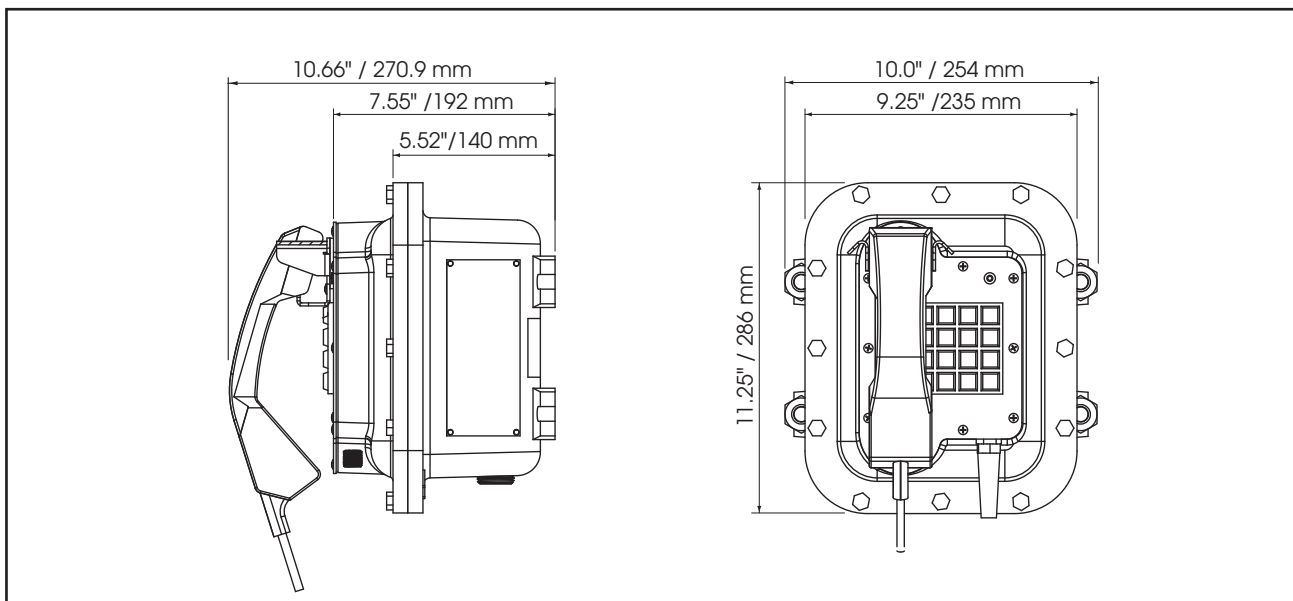
The station keypad is designed to provide tactile and audible feedback (via external powered speaker) for positive activation. Each station may be programmed for four levels of privacy for receiving calls; non-private, semi-private, full privacy and do-not-disturb. Volume for voice and signal levels are easily adjusted on the keypad.

Each station is constructed with a heavy duty, corrosion-resistant cast aluminum and a powder coated aluminum faceplate, equipped with weatherproof keypads, and is rated for use in Type 4X dust-and water-tight applications.

FEATURES

- Stainless steel hardware
- Super-bright LED indicator
- Tactile keypad
- Headset, gooseneck microphone and handset interface options
- Hinged front cover
- Output to powered loudspeaker
- Rated Type 4X and IP66
- CE certified
- UL and cUL Listed

Explosion-Proof Digital Intercom Stations (E1 Series)



SPECIFICATIONS

Operating Voltage:	24VDC nominal (line driven from ECHO control)
Current Idle:	25 mA
Current Connected:	100 mA max.
Handset Microphone Type:	Dynamic
Handset Material:	Moulded Polycarbonate/ABS Blend
Handset Cord:	Polyurethane
Stubby Microphone Type:	Dynamic
Stubby Mic Sensitivity:	-54dBA format
Stubby Mic Enclosure:	Stainless Steel
Audio Output:	2.7 Vrms / 1k Ohm load
Volume Control via Keypad:	30dBA in ten steps
Ingress Protection	IP66 (IP65 on handset)
Line Attenuation:	24dBA@160kb/s Max
Loop Resistance:	170 Ohm Max
Distance:	1.2 miles 2.0 kms Max
Cable:	One twisted pair, non-shielded
Cable Entries:	3 x M20
Operating Temperature Range:	-40°C to +65°C
Termination:	Din rail mount tensioned clamp terminals
Relay Switching Capacity:	3A at 240VAC
Net Weight:	25 lbs 11.4 kg
Shipping Weight:	30 lbs 13.6 kg
Shipping Dimensions:	20.63" x 14.13" x 13.63" 524mm x 359mm x 346mm

HOW TO ORDER

Specify Model:

- E1-HND** – Station with Handset
- E1-JS** – Station with Jack Station/Headset Connection (Headset not included)
- E1-HND-4X** – E1-HND in 4X enclosure
- E1-SM-4X** – E1-SM in 4X enclosure
- E1-HDS-4X** – E1-HDS in 4X enclosure
- E1-SM** – Station with Stubby Microphone (65mm)
- E1-GM1** – Gooseneck microphone, 260mm
- E1-GM2** – Gooseneck microphone, 440mm
- E1-GM3** – Gooseneck microphone, 590mm

OPTIONAL ACCESSORIES

Description	Part Number
ATEX/IECEX/UL, standard headset	E-HDS-EX-2
EX Hardhat compatible headset	E-HDS-EX-H-2
10m Headset extension cord	K1751234A
Handset with 2.5m to 15m curly cord (detachable)	K8601272A



E1-SM



E1-JS
(headset not included)