



► Model Eclipse8

## Omni-Directional Siren

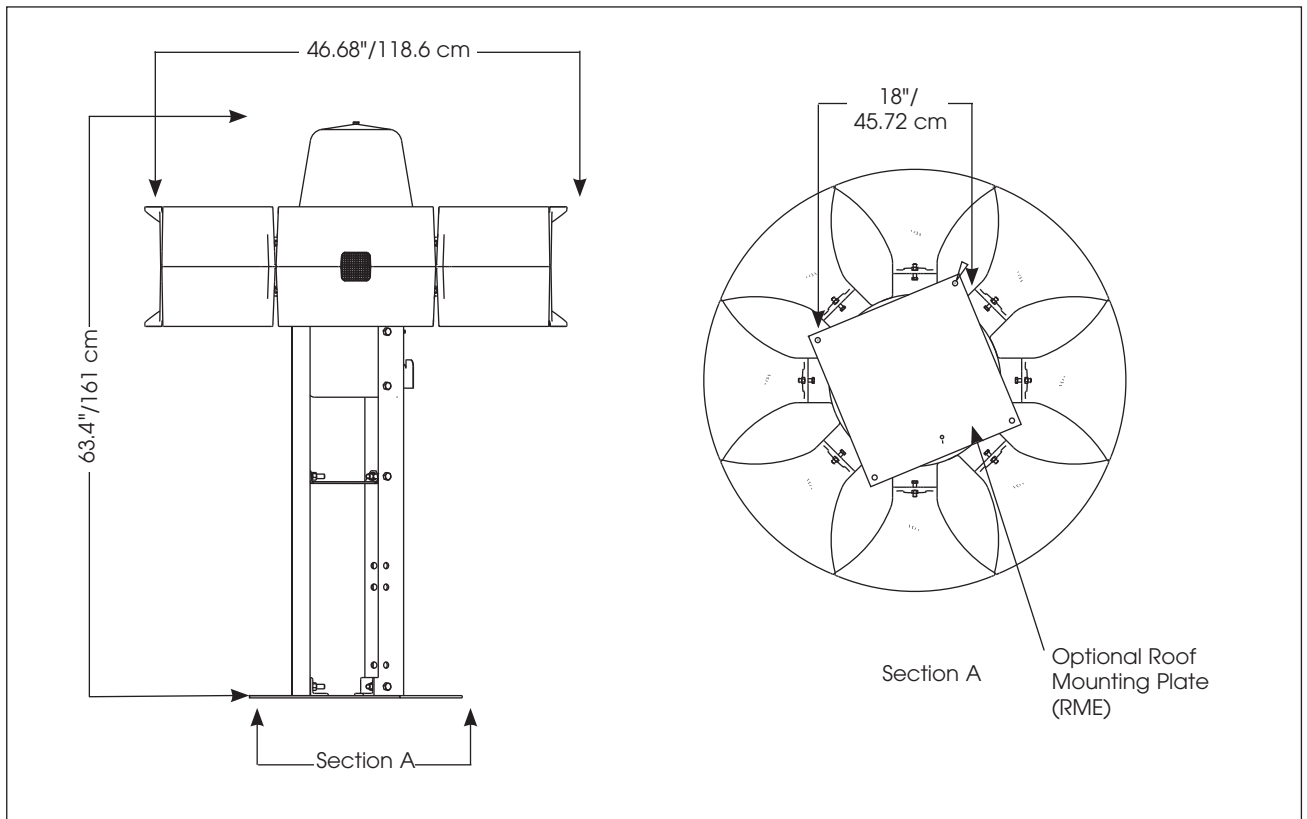
The Eclipse8 is a mid-sized DC-powered omni-directional siren for outdoor warning that produces high intensity warning signals. This powerful and lightweight outdoor siren provides coverage with a maximum sound pressure level of 115 dBc at 100 feet. The high decibel output provides maximum coverage with minimum installation costs. Operating from 48VDC, the siren utilizes the DC motor of our 2001 siren series for proven reliability.

The siren's eight projector horns covers a 360° omni-directional area, with the capability of producing three signal options: steady, wail and fast wail. The Eclipse8 will supply a minimum of 15 minutes of siren operation from its batteries even after 24 hours without AC power. The siren controls are available with battery operation, AC operation and AC operation with battery back-up. One-way and two-way radio control or landline options are available.

### F E A T U R E S

- Omni-directional for 360° coverage
- Three distinct warning signals
- Can operate from batteries directly, or using optional AC with battery back-up
- Full battery operation or battery back-up option
- High efficiency design produces 115 dBc @ 100' while making moderate power demands
- Optional roof mount stand
- 100% aluminum design

## Omni-Directional Battery Powered Siren (Eclipse8)



### SPECIFICATIONS

|                           |                |               |
|---------------------------|----------------|---------------|
| Operating Temperature:    | -22°F to 140°F | -30°C to 60°C |
| Effective Range @ 70 dBc: | 2200'          |               |
| Height:                   | 63.4"          | 161.0 cm      |
| Width:                    | 46.68"         | 118.6 cm      |
| Net Weight:               | 255 lbs        | 116.0 kg      |
| Shipping Weight:          | 380 lbs        | 173.0 kg      |

### HOW TO ORDER

Contact our Federal Signal Sales Engineers to design a system that meets your specific requirements.

#### Description

#### Part Number

#### Siren Ordering Information:

Omni-directional siren, includes wood pole mount hardware

**Eclipse8**

#### Mounting Ordering Information:

Roof Mount Equipment (optional)

**RME**

#### Siren Control Ordering Information:

Eclipse8 Siren Control AC operated, 208 or 220/240VAC (specify voltage). NEMA 4X aluminum control cabinet, (2) 48VDC contactors, and transformer/rectifier lbs / 53kg

**2001-AC**

Federal Controller 120VAC NEMA 4X aluminum control cabinet, (4) chargers (2) 48VDC contactors, and NEMA 3R aluminum battery cabinet. (4) preset siren functions. Radio not included. 224 lbs / 102Kg

**DCFCB**