

Dwg No DKR-0001

Rev -

Date 19/08/2015

Title Dock Roller

Scale DNS

Project A-Safe Barriers UK Ltd

Author AL

Checked By -

**A-Safe UK Ltd,**  
Habersham Works,  
Ainleys Industrial Estate,  
Elland, HX5 9JP

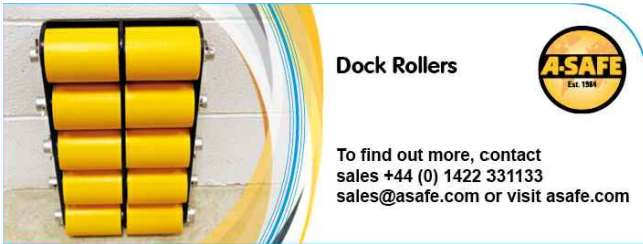


Tel: 01422 331133

Fax: 01422 323533

**NOTE: DO NOT SCALE.  
WORK TO GIVEN DIMENSIONS ONLY**

This document is confidential and the information contained therein, including the design principles and copyright is the property of A-Safe (UK) Ltd. The document and/or the information therein may not be used, copied or reproduced, in part or whole to any third party, or used for manufacture or other purpose without prior authority of A-Safe (UK) Ltd.



**Dock Rollers**

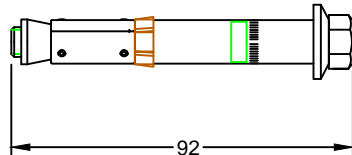
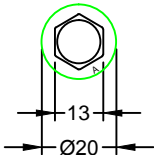


To find out more, contact  
sales +44 (0) 1422 331133  
sales@asafe.com or visit asafe.com

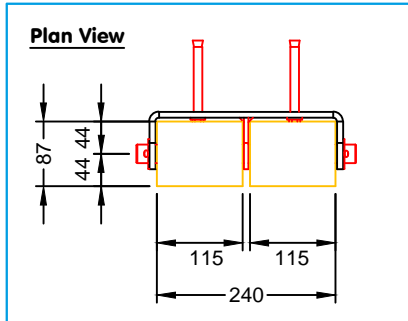
**Typical Fixing Detail - 12mm Anchor Bolt**

**Plan View**

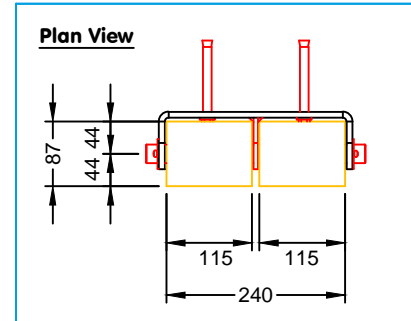
**Elevation**



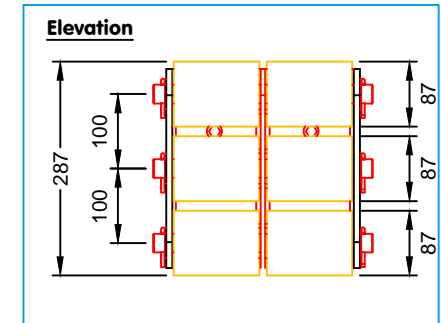
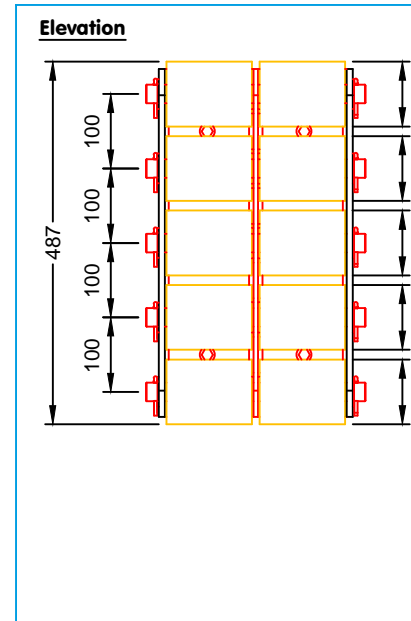
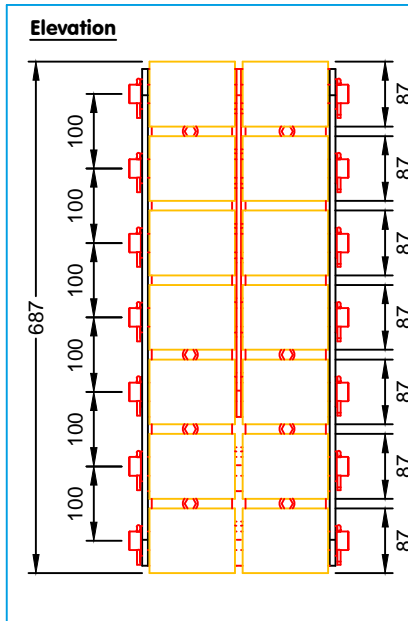
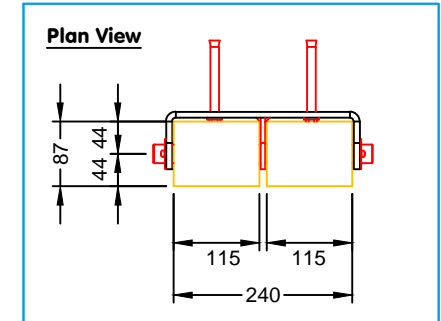
**DOCK ROLLER v7**



**DOCK ROLLER v5**



**DOCK ROLLER v3**



Drawing Approval

Date	
Approved By	
Signature	

